

# TD

## 50Hz/60Hz

### In-line circulation pump



Stock code:300145

Nanfang Zhongjin Environment Co.,Ltd.

CNP Headquarter

Address: Renhe Town, Hangzhou, China

Post code: 311107

Tel: +86 571 88637351, +86 571 86397827

Fax:+86 571 86397809

E-mail: info@nanfang-pump.com

http://www.cnppump.com

E190501  
Code1500062176  
subject to amendments



Pumping Water Pumping Honor



## Company profile

Founded in 1991, Nanfang Zhongjin Environment Co.,Ltd. (hereinafter referred to as CNP) has been listed on the Shenzhen Stock Exchange on 9th December 2010; Stock name: CNP; Stock code: 300145.

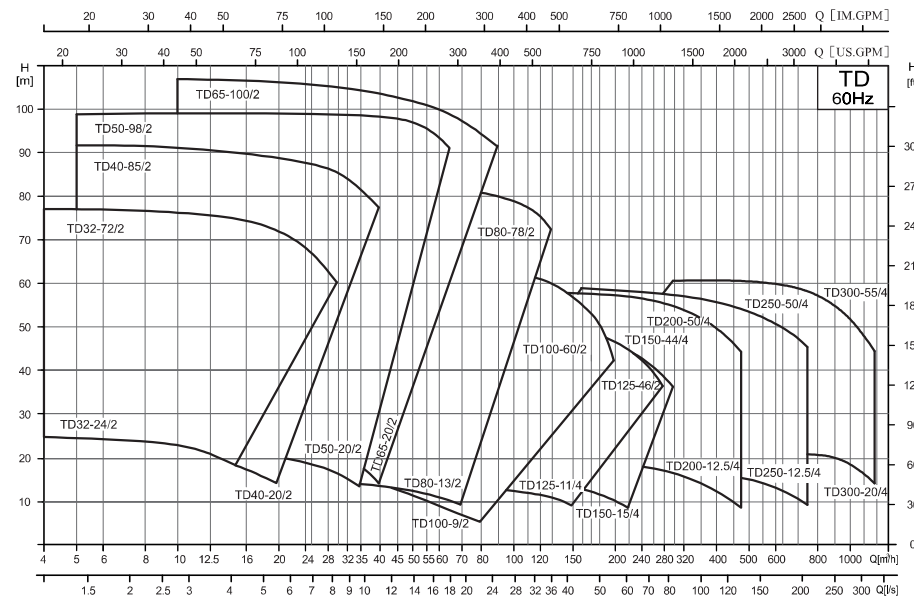
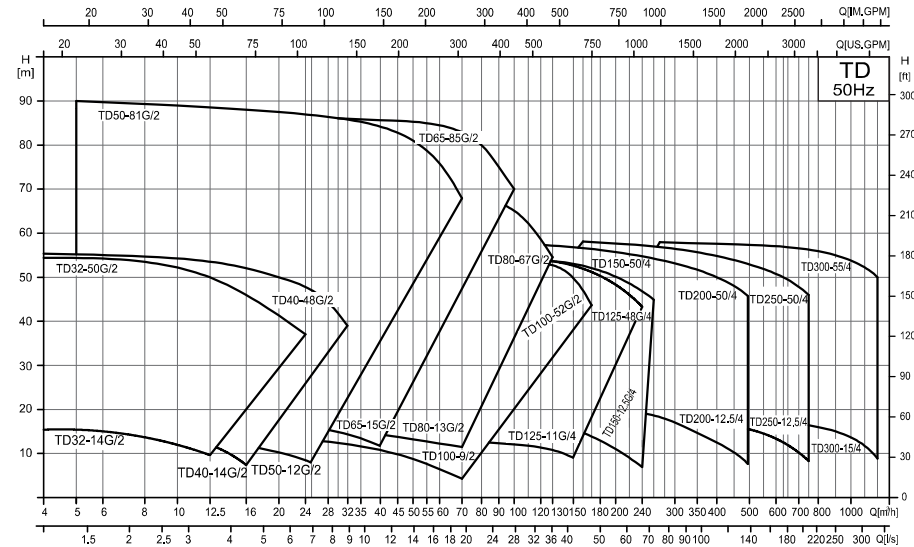
As the first enterprise specializing in the research and large-scale production of stainless steel stamping welded centrifugal pump in China, CNP is currently the professional manufacturer with the highest volume of production and marketing in that industry. It ranks first in the country in terms of product scope, sales volume, and production quality. The company has set up a complete network of marketing services to meet the requirements of overseas markets as well as domestic needs. The products have seen a wide range of application in the area of pressurization, industry, living water, cycling of air-conditioning water, heat supply, fire extinguishing system, pumping of underground water, treatment of sewage and waste water, chemical industry and desalination of sea water etc.

CNP has now entered into the fast track of development and has taken a major step forward in forging China Strong Pump Enterprise and World's famous brand in the Pump Industry. In order to better meet the client's needs and requirements for expansion, it has set up a wide network of selling and service, as well as offices and service centers in major cities in China, which are aimed at providing timely and effective services for our clients. Meanwhile, our company has successfully penetrated into the world market by forging a good business relationship with more than 50 countries and regions in the Europe, Northern American, and Southeast Asia etc.

# Contents

- Performance scope ..... 1
- Product range ..... 2
- Introduction ..... 8
- Model definition ..... 8
- Motor ..... 8
- Working conditions ..... 8
- Applications ..... 8
- Min. inlet pressure ..... 9
- Max. ambient temperature and altitude ..... 9
- Product structure ..... 9
- Installation requirements ..... 10
- Sectional drawing ..... 11
- Curve chart ..... 13
- Curve conditions ..... 13
- Appendix-base plate ..... 14
- TD-32 (50Hz) Performance curve, performance table, Installation dimension ..... 16
- TD-40 (50Hz) Performance curve, performance table, Installation dimension ..... 18
- TD-50 (50Hz) Performance curve, performance table, Installation dimension ..... 20
- TD-65 (50Hz) Performance curve, performance table, Installation dimension ..... 24
- TD-80 (50Hz) Performance curve, performance table, Installation dimension ..... 28
- TD-100 (50Hz) Performance curve, performance table, Installation dimension ..... 32
- TD-125 (50Hz) Performance curve, performance table, Installation dimension ..... 34
- TD-150 (50Hz) Performance curve, performance table, Installation dimension ..... 36
- TD-200 (50Hz) Performance curve, performance table, Installation dimension ..... 38
- TD-250 (50Hz) Performance curve, performance table, Installation dimension ..... 42
- TD-300 (50Hz) Performance curve, performance table, Installation dimension ..... 46
- TD-32 (60Hz) Performance curve, performance table, Installation dimension ..... 48
- TD-40 (60Hz) Performance curve, performance table, Installation dimension ..... 50
- TD-50 (60Hz) Performance curve, performance table, Installation dimension ..... 52
- TD-65 (60Hz) Performance curve, performance table, Installation dimension ..... 54
- TD-80 (60Hz) Performance curve, performance table, Installation dimension ..... 56
- TD-100 (60Hz) Performance curve, performance table, Installation dimension ..... 58
- TD-125 (60Hz) Performance curve, performance table, Installation dimension ..... 60
- TD-150 (60Hz) Performance curve, performance table, Installation dimension ..... 62
- TD-200 (60Hz) Performance curve, performance table, Installation dimension ..... 64
- TD-250 (60Hz) Performance curve, performance table, Installation dimension ..... 66
- TD-300 (60Hz) Performance curve, performance table, Installation dimension ..... 68

## Performance scope



## Product range

Table 1

50Hz

NO.	Model	Q [m³/h]	H [m]	n [r/min]	Standard voltage [V]	
					1×220V	3×380V
					P2[kW]	P2[kW]
1	TD32-14G/2	8	14	2900	0.75	0.75
2	TD32-18G/2	8	18		1.1	1.1
3	TD32-21G/2	12.5	21		1.5	1.5
4	TD32-26G/2	12.5	26		2.2	2.2
5	TD32-33G/2	12.5	33			3
6	TD32-40G/2	12.5	40			4
7	TD32-50G/2	12.5	50			5.5
8	TD40-14G/2	8	14		0.75	0.75
9	TD40-16G/2	12.5	16		1.1	1.1
10	TD40-21G/2	12.5	21		1.5	1.5
11	TD40-20G/2	20	20		2.2	2.2
12	TD40-26G/2	20	26			3
13	TD40-30G/2	25	30			4
14	TD40-36G/2	25	36			5.5
15	TD40-48G/2	25	48			7.5
16	TD50-32G/2	12.5	32			3
17	TD50-39G/2	12.5	39			4
18	TD50-49G/2	12.5	49			5.5
19	TD50-59G/2	12.5	59			7.5
20	TD50-80G/2	12.5	80			11
21	TD50-12G/2	16	12		1.1	1.1
22	TD50-15G/2	20	15		1.5	1.5
23	TD50-18G/2	25	18		2.2	2.2
24	TD50-24G/2	25	24			3
25	TD50-28G/2	30	28			4
26	TD50-35G/2	30	35			5.5
27	TD50-40G/2	35	40			7.5
28	TD50-50G/2	40	50			11
29	TD50-60G/2	50	60			15
30	TD50-70G/2	50	70			18.5
31	TD50-81G/2	50	81			22
32	TD65-37G/2	25	37			5.5
33	TD65-48G/2	25	48			7.5
34	TD65-15G/2	30	15		2.2	2.2
35	TD65-20G/2	30	20			3
36	TD65-22G/2	40	22			4
37	TD65-30G/2	40	30			5.5
38	TD65-34G/2	50	34			7.5
39	TD65-41G/2	50	41			11
40	TD65-51G/2	50	51			15
41	TD65-61G/2	50	61			18.5

## Product range

Table 1(continued)

50Hz

NO.	Model	Q [m³/h]	H [m]	n [r/min]	Standard voltage [V]			
					1×220V	3×380V		
					P2[kW]	P2[kW]		
42	TD65-68G/2	50	68	2900		22		
43	TD65-85G/2	50	85				30	
44	TD80-41G/2	50	41				11	
45	TD80-48G/2	50	48				15	
46	TD80-13G/2	50	13				3	
47	TD80-18G/2	50	18				4	
48	TD80-23G/2	50	23				5.5	
49	TD80-29G/2	50	29				7.5	
50	TD80-32G/2	70	32				11	
51	TD80-38G/2	80	38				15	
52	TD80-47G/2	80	47				18.5	
53	TD80-54G/2	80	54				22	
54	TD80-67G/2	80	67				30	
55	TD100-9/2	50	9			2.2	2.2	
56	TD100-15/2	60	15				4	
57	TD100-17G/2	80	17				5.5	
58	TD100-22G/2	80	22				7.5	
59	TD100-27/2	100	27				11	
60	TD100-33/2	100	33				15	
61	TD100-40G/2	100	40				18.5	
62	TD100-48G/2	100	48				22	
63	TD100-52G/2	130	52				30	
64	TD125-11G/4	120	11		1450		5.5	
65	TD125-14G/4	120	14					7.5
66	TD125-19G/4	140	19					11
67	TD125-22G/4	160	22					15
68	TD125-28G/4	160	28					18.5
69	TD125-32G/4	160	32					22
70	TD125-40G/4	160	40					30
71	TD125-48G/4	160	48				37	
72	TD150-12.5G/4	200	12.5				11	
73	TD150-17G/4	200	17				15	
74	TD150-22G/4	200	22	1480		18.5		
75	TD150-25/4	200	25				22	
76	TD150-33/4	200	33				30	
77	TD150-40/4	200	40				37	
78	TD150-50/4	200	50				45	
79	TD200-16/4	300	16				18.5	
80	TD200-19/4	300	19				22	
81	TD200-24/4	300	24				30	
82	TD200-31/4	300	31				37	



## Product range

Table 1(continued)

50Hz

NO.	Model	Q [m³/h]	H [m]	n [r/min]	Standard voltage [V]	
					1×220V	3×380V
					P2[kW]	P2[kW]
83	TD200-36/4	300	36	1480		45
84	TD200-47/4	300	47			55
85	TD200-53/4	300	53			75
86	TD200-12.5/4	400	12.5			22
87	TD200-20/4	400	20			30
88	TD200-23/4	400	23			37
89	TD200-27/4	400	27			45
90	TD200-32/4	400	32			55
91	TD200-43/4	400	43			75
92	TD200-50/4	400	50			90
93	TD250-16/4	500	16			30
94	TD250-19/4	500	19			37
95	TD250-22/4	500	22			45
96	TD250-29/4	500	29			55
97	TD250-36/4	500	36			75
98	TD250-47/4	500	47			90
99	TD250-56/4	500	56			110
100	TD250-12.5/4	630	12.5			30
101	TD250-14/4	630	14			37
102	TD250-17/4	630	17			45
103	TD250-20/4	630	20			55
104	TD250-26/4	630	26			75
105	TD250-32/4	630	32			90
106	TD250-40/4	630	40			110
107	TD250-50/4	630	50			132
108	TD300-15/4	900	15			55
109	TD300-20/4	900	20			75
110	TD300-25/4	900	25			90
111	TD300-30/4	900	30			110
112	TD300-35/4	900	35			132
113	TD300-44/4	900	44			160
114	TD300-55/4	900	55		200	

## Product range

Table 2

60Hz

NO.	Model	Q [m³/h]	H [m]	n [r/min]	Standard voltage [V]	
					1×220V	3×380V
					P2[kW]	P2[kW]
1	TD32-24/2	7	24	3500	1.5	1.5
2	TD32-27/2	10	27		2.2	2.2
3	TD32-30/2	15	30			3
4	TD32-38/2	15	38			4
5	TD32-46/2	15	46			5.5
6	TD32-57/2	20	57			7.5
7	TD32-72/2	20	72			11
8	TD40-20/2	12	20		1.5	1.5
9	TD40-24/2	15	24		2.2	2.2
10	TD40-28/2	15	28			3
11	TD40-32/2	20	32			4
12	TD40-35/2	25	35			5.5
13	TD40-42/2	25	42			7.5
14	TD40-65/2	25	65			11
15	TD40-76/2	25	76			15
16	TD40-85/2	30	85		2.2	18.5
17	TD50-20/2	20	20			2.2
18	TD50-27/2	20	27			3
19	TD50-34/2	20	34			4
20	TD50-40/2	20	40			5.5
21	TD50-42/2	30	42			7.5
22	TD50-51/2	35	51			11
23	TD50-62/2	45	62			15
24	TD50-72/2	45	72			18.5
25	TD50-84/2	45	84			22
26	TD50-98/2	50	98			30
27	TD65-20/2	30	20			3
28	TD65-25/2	30	25			4
29	TD65-32/2	30	32			5.5
30	TD65-38/2	35	38			7.5
31	TD65-46/2	35	46			11
32	TD65-55/2	35	55		15	
33	TD65-60/2	50	60		18.5	
34	TD65-73/2	50	73		22	
35	TD65-85/2	60	85		30	
36	TD65-100/2	60	100		37	
37	TD80-12/2	50	12		3	
38	TD80-17/2	50	17		4	
39	TD80-20/2	60	20		5.5	
40	TD80-26/2	60	26		7.5	
41	TD80-30/2	80	30		11	

## Product range

Table 2(continued)

60Hz

NO.	Model	Q [m³/h]	H [m]	n [r/min]	Standard voltage [V]		
					1×220V	3×380V	
					P2[kW]	P2[kW]	
42	TD80-38/2	80	38	3500		15	
43	TD80-47/2	80	47			22	
44	TD80-52/2	80	52			30	
45	TD80-70/2	80	70			37	
46	TD80-81/2	80	81			3	
47	TD100-11/2	50	11			4	
48	TD100-15/2	60	15			5.5	
49	TD100-17/2	80	17			7.5	
50	TD100-22/2	80	22			11	
51	TD100-25/2	100	25			15	
52	TD100-32/2	100	32			18.5	
53	TD100-38/2	120	34			22	
54	TD100-52/2	120	38			30	
55	TD100-60/2	130	52			37	
56	TD125-11/4	130	60			5.5	
57	TD125-14/4	120	11		1750		7.5
58	TD125-20/4	120	14				11
59	TD125-24/4	120	20				15
60	TD125-28/4	120	24				18.5
61	TD125-32/4	140	28				22
62	TD125-38/4	150	32			30	
63	TD125-40/4	150	38			37	
64	TD125-46/4	180	40			45	
65	TD150-15/4	180	46			11	
66	TD150-18/4	160	15			15	
67	TD150-20/4	180	18			18.5	
68	TD150-24/4	200	20			22	
69	TD150-32/4	200	24			30	
70	TD150-36/4	200	32			37	
71	TD150-44/4	200	36			45	
72	TD200-12.5/4	400	44			22	
73	TD200-20/4	400	12.5			30	
74	TD200-23/4	400	20			37	
75	TD200-27/4	400	23			45	
76	TD200-32/4	400	27			55	
77	TD200-43/4	400	32		75		
78	TD200-50/4	400	43		90		
79	TD250-14/4	630	50		37		
80	TD250-17/4	630	14		45		
81	TD250-20/4	630	17		55		
82	TD250-26/4	630	20		75		

## Product range

Table 2(continued)

60Hz

NO.	Model	Q [m³/h]	H [m]	n [r/min]	Standard voltage [V]	
					1×220V	3×380V
					P2[kW]	P2[kW]
83	TD250-32/4	630	32	1750		90
84	TD250-40/4	630	40			110
85	TD250-50/4	630	50			132
86	TD300-20/4	900	20			75
87	TD300-25/4	900	25			90
88	TD300-30/4	900	30			110
89	TD300-35/4	900	35			132
90	TD300-44/4	900	44			160
91	TD300-55/4	900	55			200

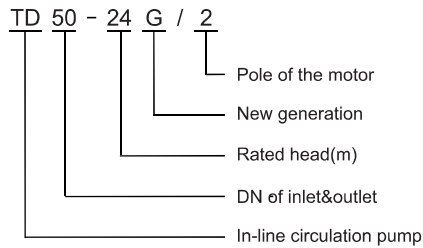
## Introduction

TD pumps are single-stage in-line circulation pumps, equipped with standard motor and mechanical seal. Comparing with other pumps in similar structure, these pumps are less accessible to the impurity in the liquid.

TD pumps are designed to be pulled out from the top when disassemble. It can be repaired without affecting the pipeline.

The mechanical seal for TD200 and above is cartridge mechanical seal. Motor needn't to be disassembled when replace mechanical seal.

## Model definition



## Motor

TEFC, grade two, grade four motor

Protection level: IP55

Insulation grade: F

Standard power: 50Hz: 1×220-230/240V  
3×200-220/346-380V  
3×220-240/380-415V

## Working conditions

This product is applied for thin, clean, non-flammable, non-explosive, solid free, fiber free, physically and chemically water-like liquid. The performance curve will descend and energy consumption will be increased if the liquid viscosity or density is beyond the required level.

Max. working pressure: 12 bar for normal type, 16 bar for special type

Liquid temperature: -15°C to 110°C

Ambient temperature: up to 40°C

Altitude: up to 1000m

Rotation direction: clockwise (looking down from motor fan)

## Applications

Water treatment ultrafiltration system  
RO system  
Boosting system  
High pressure washing system  
Water supply

## Minimum inlet pressure NPSH

In case that the pressure in pump is lower than the steam pressure used to convey liquid, the cavitations will occur. To avoid cavitations, a minimum pressure at the inlet side of the pump shall be guaranteed. The maximum suction can be calculated with the following formula:

$$H = P_b \times 10.2 - NPSH - H_f - H_v - H_s$$

H—Maximum suction head(m)

$P_b$ —Atmosphere pressure(bar)

In a closed system,  $P_b$  means system pressure(bar)

NPSH—Net positive suction head(m)

It can be read from the point of Max. flow rate shown on NPSH curve.

$H_f$ —Pipeline loss at the inlet(m)

It is in accordance with the pipeline possible Max. flow.

$H_v$ —Steam pressure(m)

It depends on liquid temperature and steam pressure value.

$H_s$ —Safety margin(m)

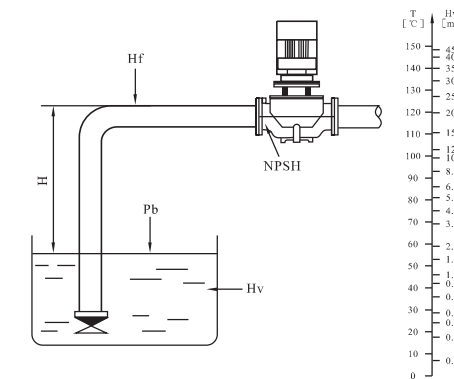
Minimum 0.5m delivery head.

If the calculated result H is negative, the pump may run under the Max. suction head H. In case the calculated result H is negative, a delivery head of Min. inlet pressure is necessary.

NOTE: Normally, the above calculation will not be done.

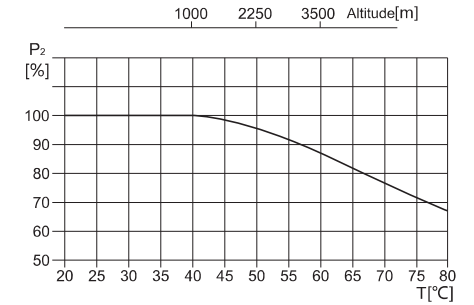
H is calculated in the following conditions:

1. The liquid temperature is comparatively higher;
2. Liquid flow exceeds rated value;
3. Suction head is comparatively large or inlet pipeline long;
4. System pressure is too low;
5. Bad inlet condition.



## Maximum ambient temperature and altitude

When the pump is operating under ambient temperature higher than 40°C or altitude higher than 1000 m, the motor output power will be reduced due to the low air density and poor cooling effect. Motor power needs to be increased when pump running under the above condition.



## Product structure

The design if the pump is pump and motor. Pump part can be pulled out. TD series are equipped with standard motor and mechanical seal. Motor is TEFC standard motor. Its major dimensions are in conformity with JB/T8680 standard.

The pump body is equal to a section of pipeline. While in maintenance, blind flange can be used to seal to pump cover which enable to the normal operation of pumps.

The flange connection dimension are in conformity with the related provisions PN16 in GB/T 17241.6 or ISO7005-2/DIN 2501.

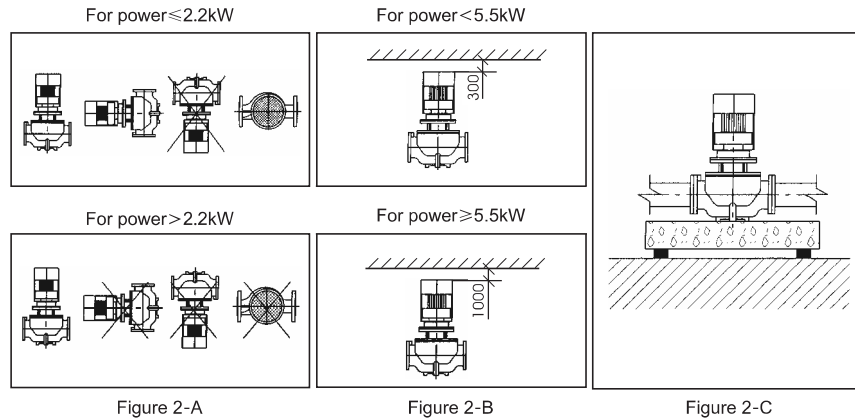
The inlet and outlet diameters are in conformity with related standard dimensions.

The pump head is to connect motor and the pump. O ring is used to seal the pump head and the pump.

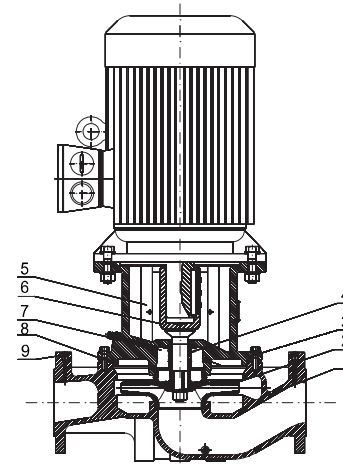
## Installation requirements

TD pumps have different installation requirements. The details are as below.

1. If the system pipeline can support the pumps, pumps with 2.2KW motor power (including 2.2KW) can be hung in line; if the system pipeline cannot support the pumps or the pump motor power is higher than 2.2KW, the pump must be installed in brackets or base.
2. Pumps with motor power lower than 2.2KW (including 2.2KW) can be installed horizontally or vertically to the pipeline. Pumps with motor power higher than 2.2KW, can only be installed vertically to the pipeline. (see Figure 2-A)
3. The pump installation shall not allow the system pipeline tensile force to be transferred to the pump body.
4. The pumps should be installed in the environment with sufficient cooling and the cooling air shall not be above 40°C.
5. If the pumps are installed outdoors, there should be covers to protect electric components from water.
6. For the convenience of maintenance, there should be enough space above and below the pumps. Minimum 300mm shall be kept for pumps with motor power lower than 5.5KW, and minimum 1000mm for pumps with motor power higher than 5.5KW (including 5.5KW) (see Figure 2-B)
7. To prevent noises and vibration and ensure the best operation, anti-vibration base shall be used in installation. Generally, cement base with the weight equal or bigger than 1.5×pump weight shall be adopted. (see Figure 2-C)
8. For TD32 to TD150, pumps with bases or without bases are both available for customers requirements. (See appendix TD32-TD150 for base dimensions)



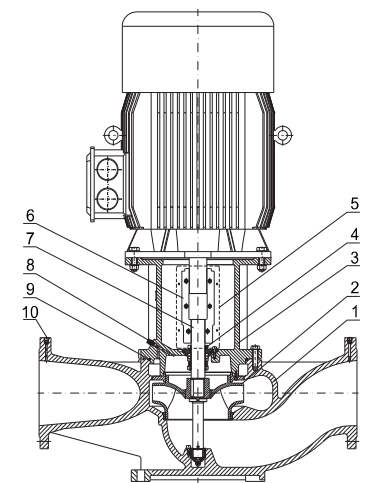
## Sectional drawing of TD32-TD150 Extension Shaft



## Material list of TD32-TD150 Extension Shaft

NO.	Parts	Material
1	Pump body	HT200
2	Impeller	HT200/ZG07Cr19Ni9
3	Pump head	HT200
4	Mechanical seal	Carbon/Silicon Carbide
5	Guard plate	06Cr19Ni10
6	Shaft	20Cr13
7	Air release bolt	06Cr19Ni10
8	O-ring	NBR
9	Plug	06Cr19Ni10

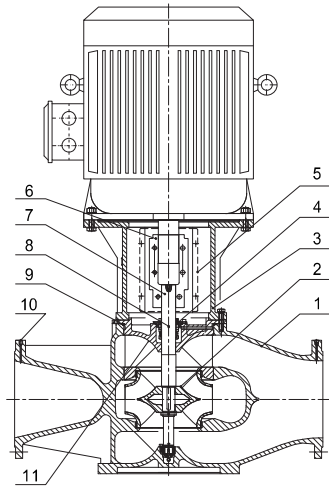
## Sectional drawing of TD200-TD250 Extension Shaft



## Material list of TD200-TD250 Extension Shaft

NO.	Parts	Material
1	Pump body	HT200
2	Impeller	HT200/ZG07Cr19Ni9
3	Pump head	HT200
4	Mechanical seal	Carbon/Silicon Carbide
5	Guard plate	06Cr19Ni10
6	Coupling	Cast Steel ZG270-500
7	Shaft	20Cr13
8	Air release bolt	06Cr19Ni10
9	O-ring	NBR
10	Plug	06Cr19Ni10

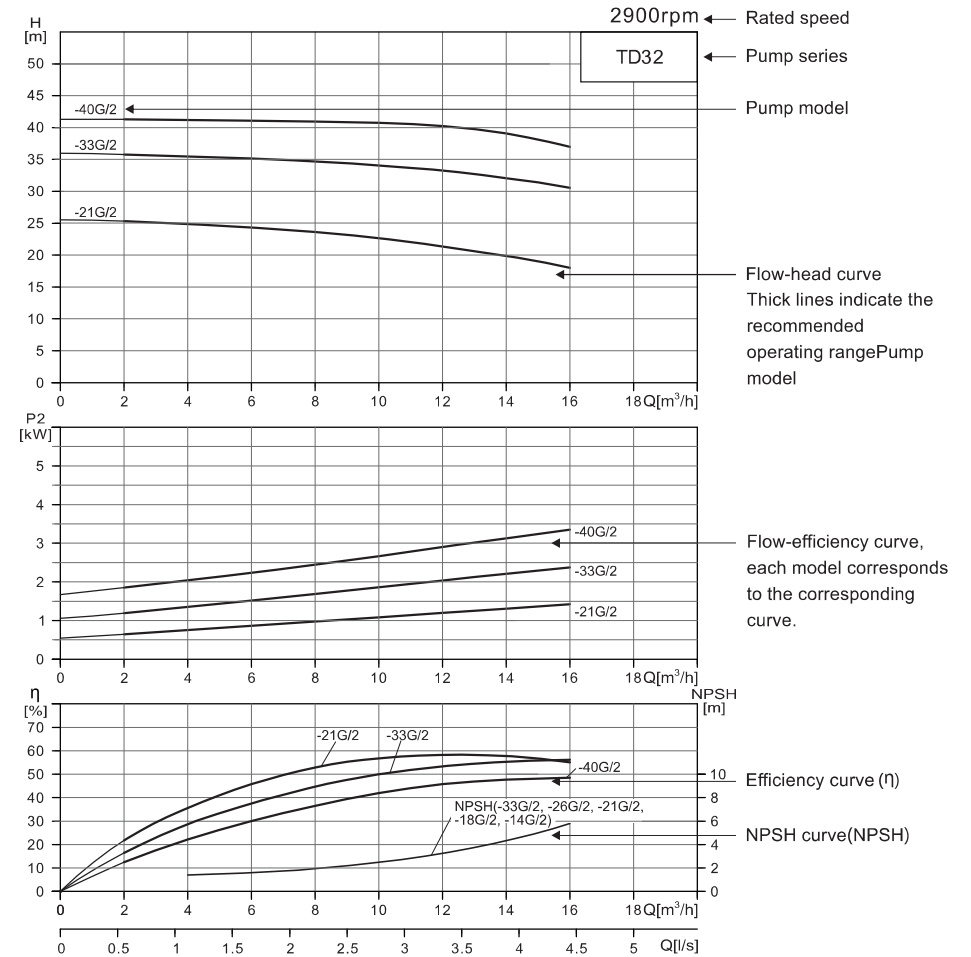
## Sectional drawing of TD300 easy maintenance structure



## Material list of TD300 easy maintenance structure

NO.	Parts	Material
1	Pump body	QT500-7
2	Impeller	HT200/ZG07Cr19Ni9
3	Pump head	HT200
4	Mechanical seal	Carbon/Silicon Carbide
5	Guard plate	06Cr19Ni10
6	Coupling	Cast Steel ZG270-500
7	Shaft	20Cr13
8	Air release bolt	06Cr19Ni10
9	O-ring	NBR
10	Plug	06Cr19Ni10
11	Pump cover	QT500-7

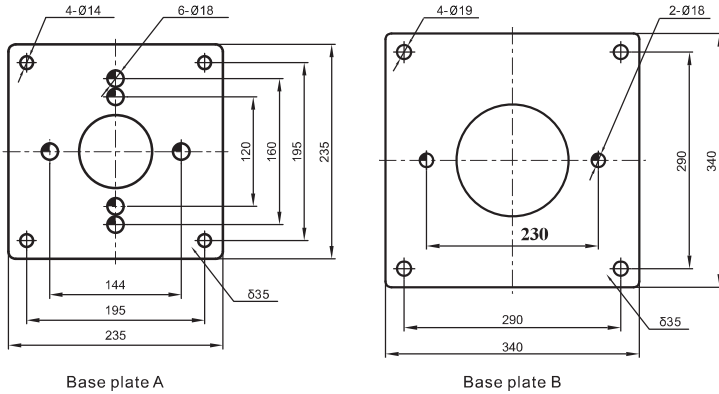
## Curve chart



## Curve conditions

- Following conditions are suitable for the performance curves shown above.
- All curves are based on the measured values of motor 3×380V, 50Hz: under the constant speed of 2900rpm, 1450rpm or 1480rpm; 60Hz: under the constant speed of 3500rpm, 1750rpm.
- Curve tolerance in conformity with ISO9906:2012, Grade 3B.
- Measurement is done with 20°C air-free water, without impurities.
- The operation of pump shall refer to the performance region indicated by the thickened curve to prevent overheating due to too small flow rate or overload of motor due to too large flow rate.
- If the thickness and density of the pumped liquid is different from water, the motor power should be adjusted.

## Appendix-Base plate



### 50Hz

NO.	Product model	Base plate type	NO.	Product model	Base plate type	NO.	Product model	Base plate type
1	TD32-14G/2	A	27	TD50-40G/2	A	53	TD80-54G/2	A
2	TD32-18G/2	A	28	TD50-50G/2	A	54	TD80-67G/2	A
3	TD32-21G/2	A	29	TD50-60G/2	A	55	TD100-9/2	A
4	TD32-26G/2	A	30	TD50-70G/2	A	56	TD100-15/2	A
5	TD32-33G/2	A	31	TD50-81G/2	A	57	TD100-17G/2	A
6	TD32-40G/2	A	32	TD65-37G/2	A	58	TD100-22G/2	A
7	TD32-50G/2	A	33	TD65-48G/2	A	59	TD100-27/2	A
8	TD40-14G/2	A	34	TD65-15G/2	A	60	TD100-33/2	A
9	TD40-16G/2	A	35	TD65-20G/2	A	61	TD100-40G/2	B
10	TD40-21G/2	A	36	TD65-22G/2	A	62	TD100-48G/2	B
11	TD40-20G/2	A	37	TD65-30G/2	A	63	TD100-52G/2	B
12	TD40-26G/2	A	38	TD65-34G/2	A	64	TD125-11G/4	B
13	TD40-30G/2	A	39	TD65-41G/2	A	65	TD125-14G/4	B
14	TD40-36G/2	A	40	TD65-51G/2	A	66	TD125-19G/4	B
15	TD40-48G/2	A	41	TD65-61G/2	A	67	TD125-22G/4	B
16	TD50-32G/2	A	42	TD65-68G/2	A	68	TD125-28G/4	B
17	TD50-39G/2	A	43	TD65-85G/2	A	69	TD125-32G/4	B
18	TD50-49G/2	A	44	TD80-41G/2	A	70	TD125-40G/4	B
19	TD50-59G/2	A	45	TD80-48G/2	A	71	TD125-48G/4	B
20	TD50-80G/2	A	46	TD80-13G/2	A	72	TD150-12.5G/4	B
21	TD50-12G/2	A	47	TD80-18G/2	A	73	TD150-17G/4	B
22	TD50-15G/2	A	48	TD80-23G/2	A	74	TD150-22G/4	B
23	TD50-18G/2	A	49	TD80-29G/2	A	75	TD150-25/4	B
24	TD50-24G/2	A	50	TD80-32G/2	A	76	TD150-33/4	B
25	TD50-28G/2	A	51	TD80-38G/2	A	77	TD150-40/4	B
26	TD50-35G/2	A	52	TD80-47G/2	A	78	TD150-50/4	B

Remark: Base plate is optional part, need to note when order.

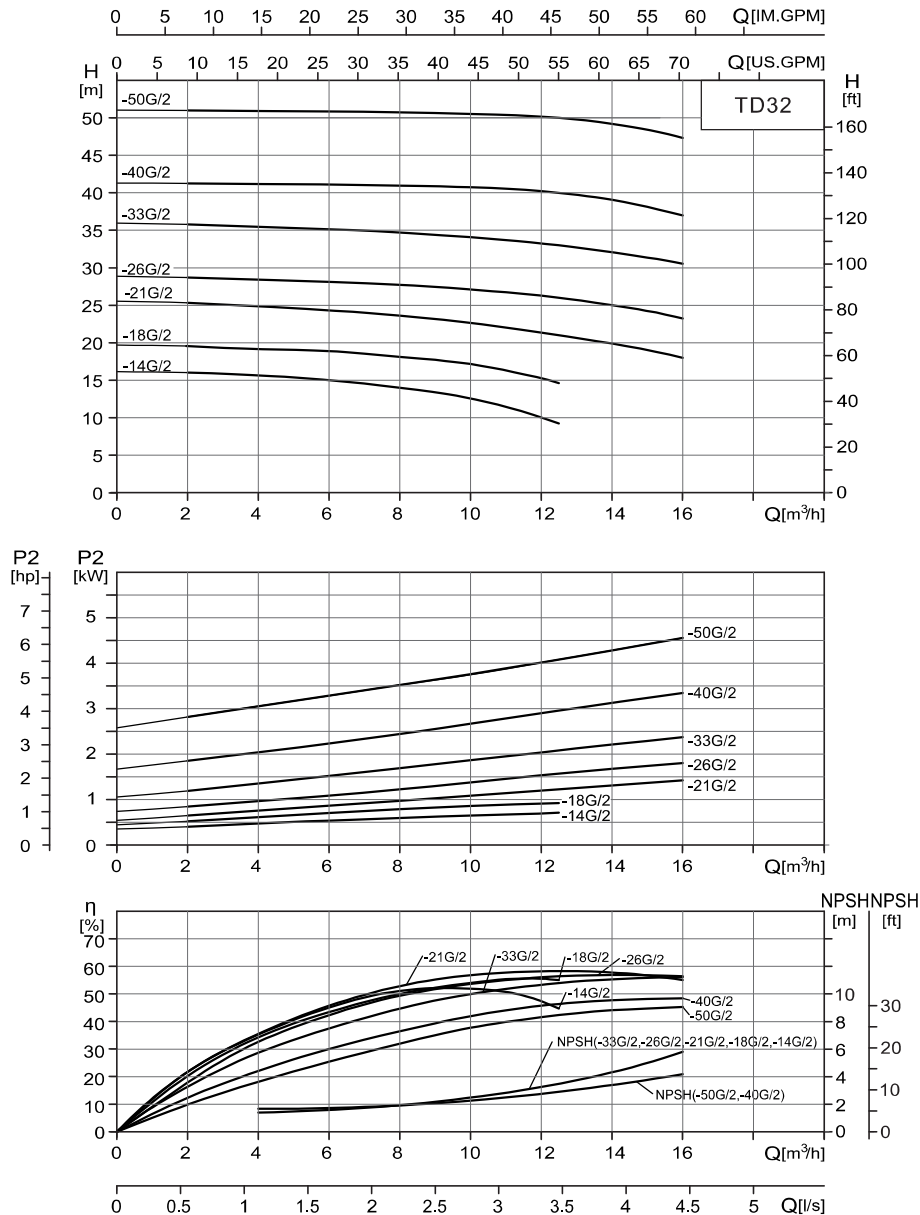
### 60Hz

NO.	Product model	Base plate type	NO.	Product model	Base plate type	NO.	Product model	Base plate type
1	TD32-24/2	A	25	TD50-84/2	A	49	TD100-17/2	A
2	TD32-27/2	A	26	TD50-98/2	A	50	TD100-22/2	A
3	TD32-30/2	A	27	TD65-20/2	A	51	TD100-25/2	B
4	TD32-38/2	A	28	TD65-25/2	A	52	TD100-32/2	B
5	TD32-46/2	A	29	TD65-32/2	A	53	TD100-34/2	B
6	TD32-57/2	A	30	TD65-38/2	A	54	TD100-38/2	B
7	TD32-72/2	A	31	TD65-46/2	A	55	TD100-52/2	B
8	TD40-20/2	A	32	TD65-55/2	A	56	TD100-60/2	B
9	TD40-24/2	A	33	TD65-60/2	A	57	TD125-11/4	B
10	TD40-28/2	A	34	TD65-73/2	A	58	TD125-14/4	B
11	TD40-32/2	A	35	TD65-85/2	A	59	TD125-20/4	B
12	TD40-35/2	A	36	TD65-100/2	A	60	TD125-24/4	B
13	TD40-42/2	A	37	TD80-12/2	A	61	TD125-28/4	B
14	TD40-65/2	A	38	TD80-17/2	A	62	TD125-32/4	B
15	TD40-76/2	A	39	TD80-20/2	A	63	TD125-38/4	B
16	TD40-85/2	A	40	TD80-26/2	A	64	TD125-40/4	B
17	TD50-20/2	A	41	TD80-30/2	A	65	TD125-46/4	B
18	TD50-27/2	A	42	TD80-38/2	A	66	TD150-15/4	B
19	TD50-34/2	A	43	TD80-47/2	A	67	TD150-18/4	B
20	TD50-40/2	A	44	TD80-52/2	A	68	TD150-20/4	B
21	TD50-42/2	A	45	TD80-70/2	A	69	TD150-24/4	B
22	TD50-51/2	A	46	TD80-81/2	A	70	TD150-32/4	B
23	TD50-62/2	A	47	TD100-11/2	A	71	TD150-36/4	B
24	TD50-72/2	A	48	TD100-15/2	A	72	TD150-44/4	B

Remark: Base plate is optional part, need to note when order.



## Performance curve

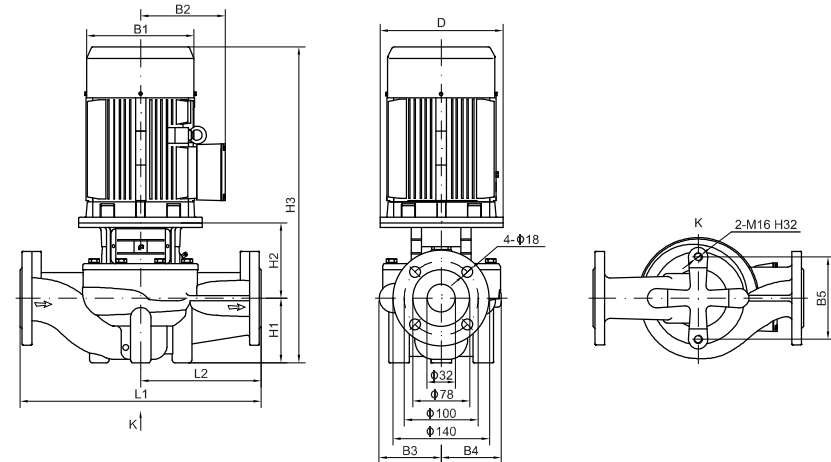


## TD32 Performance table

50Hz

Model	Motor (kW)	Q (m³/h)	2	4	6	8	10	12.5	14	16
TD32-14G/2	0.75	H (m)	16	15.7	15.1	14	12.6	9.3		
TD32-18G/2	1.1		19.6	19.3	18.9	18	17.2	14.6		
TD32-21G/2	1.5		25.3	24.9	24.3	23.6	22.6	21	19.9	18
TD32-26G/2	2.2		28.7	28.4	28.1	27.7	27.1	26	25	23.2
TD32-33G/2	3		35.8	35.5	35.1	34.7	34.1	33	32.1	30.6
TD32-40G/2	4		41.3	41.2	41.1	41	40.7	40	39.1	37
TD32-50G/2	5.5		51	50.9	50.8	50.7	50.5	50	49.2	47.3

## Installation sketch

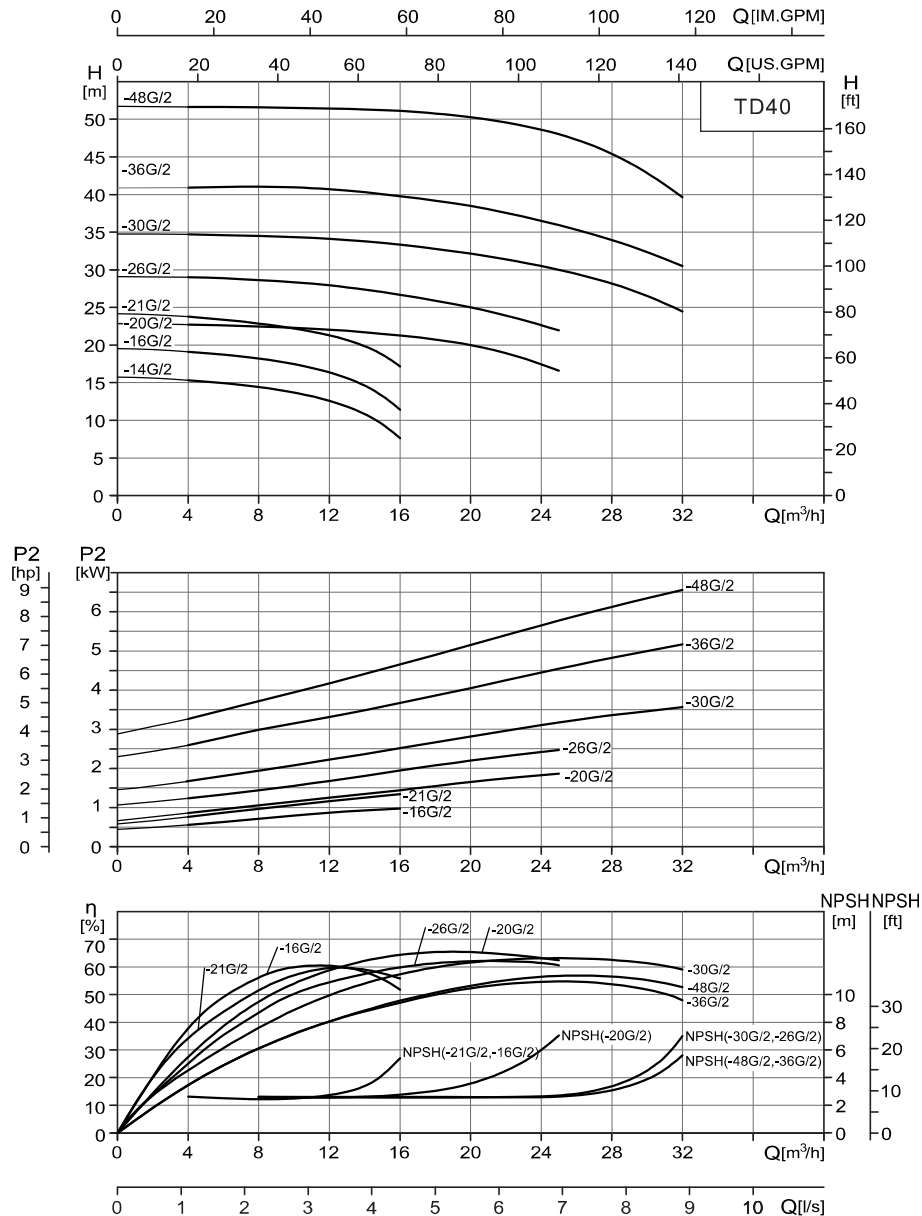


## Dimensions and weights

Model	Dimension(mm)										Weight (kg)	
	D	B1	B2	B3	B4	B5	H1	H2	H3	L1		L2
TD32-14G/2	120	151	125	101	101	144	90	135	469	320	160	33
TD32-18G/2	120	151	125	101	101	144	90	135	469	320	160	34
TD32-21G/2	140	171	137	101	101	144	90	137	514	320	160	38
TD32-26G/2	140	171	137	101	101	144	90	137	514	320	160	42
TD32-33G/2	160	196	150	109	109	144	90	145	572	340	170	52
TD32-40G/2	160	214	169	128	128	144	100	151	593	360	180	65
TD32-50G/2	200	257	190	128	128	144	100	173	656	360	180	84

Note: The dimension of single-phase motor and explosion-proof motor will change. Please consult our company for more details.

## Performance curve

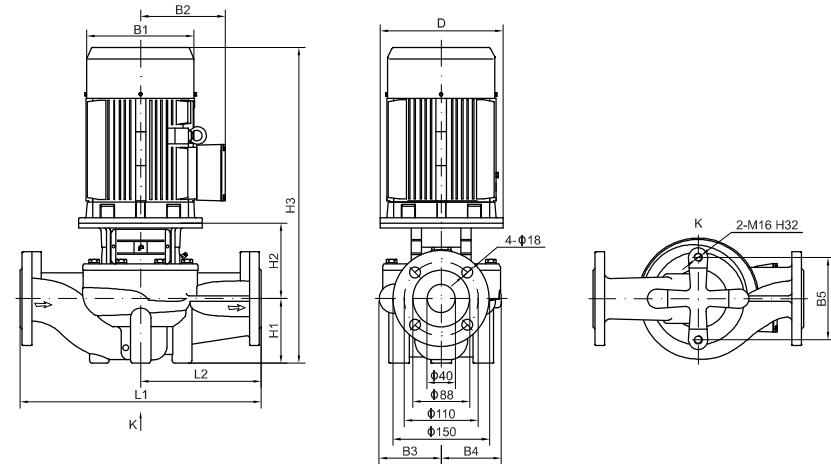


## TD40 Performance table

50Hz

Model	Motor (kW)	Q (m³/h)	4	8	12.5	16	20	25	28	32
TD40-14G/2	0.75	H (m)	15.4	14	10.2					
TD40-16G/2	1.1		19.1	18.2	16	11.4				
TD40-21G/2	1.5		23.8	22.9	21	17.1				
TD40-20G/2	2.2		22.7	22.5	22	21.3	20	16.6		
TD40-26G/2	3		29	28.6	27.8	26.7	25	21.9		
TD40-30G/2	4		34.7	34.5	34.1	33.4	32.2	30	28.2	24.5
TD40-36G/2	5.5		40.9	41	40.7	39.8	38.5	36	34.1	30.5
TD40-48G/2	7.5		51.6	51.6	51.4	51.1	50.3	48	45.4	39.6

## Installation sketch

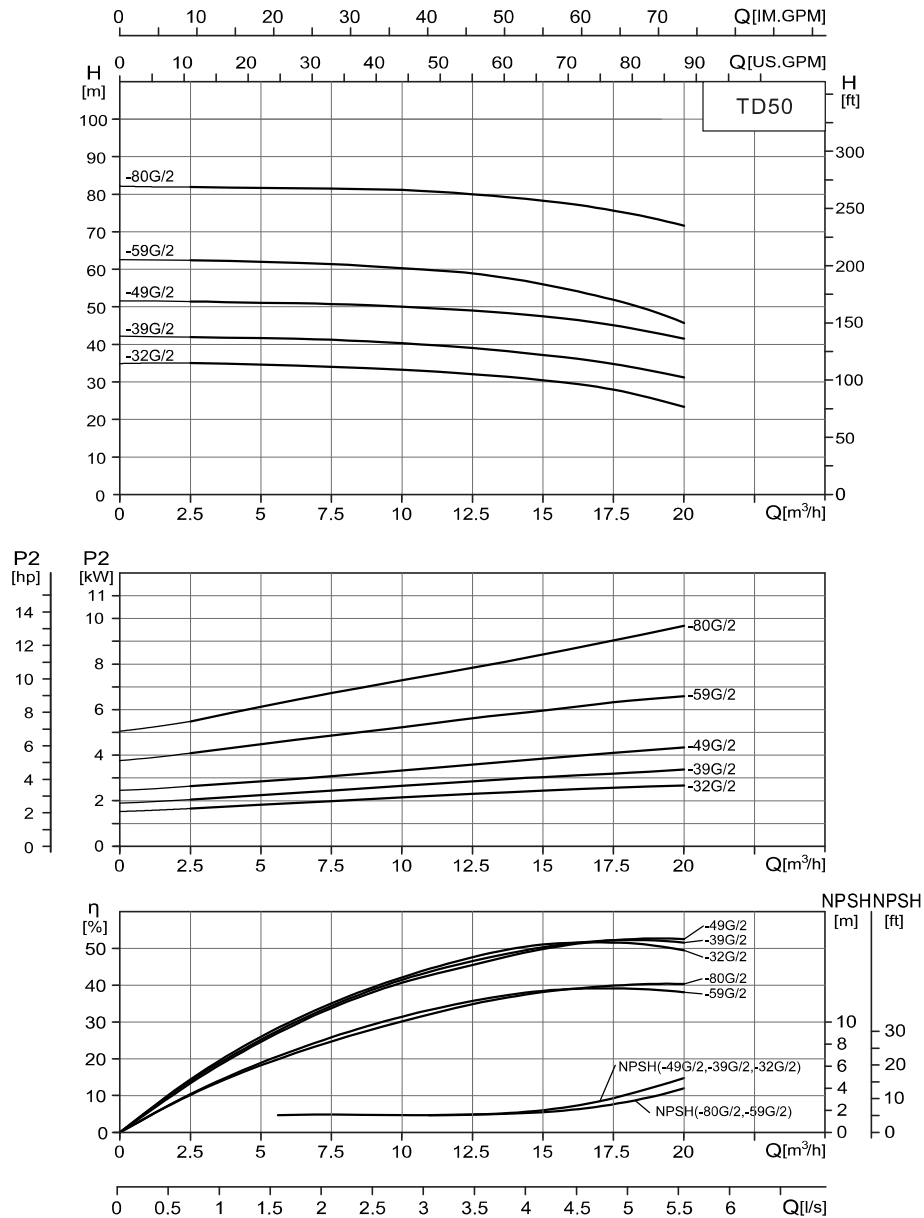


## Dimensions and weights

Model	Dimension (mm)											Weight (kg)
	D	B1	B2	B3	B4	B5	H1	H2	H3	L1	L2	
TD40-14G/2	122	151	125	98	95	120	68	139	451	320	160	31
TD40-16G/2	122	151	125	98	95	120	68	139	451	320	160	32
TD40-21G/2	140	171	137	98	95	120	68	149	504	320	160	38
TD40-20G/2	140	171	137	105	95	144	85	144	516	320	160	43
TD40-26G/2	160	196	150	116	109	144	85	156	578	340	170	54
TD40-30G/2	160	214	169	116	109	144	85	156	583	340	170	62
TD40-36G/2	200	257	190	133	128	144	90	181	654	380	190	85
TD40-48G/2	200	257	190	133	128	144	90	181	654	380	190	94

Note: The dimension of single-phase motor and explosion-proof motor will change. Please consult our company for more details.

## Performance curve

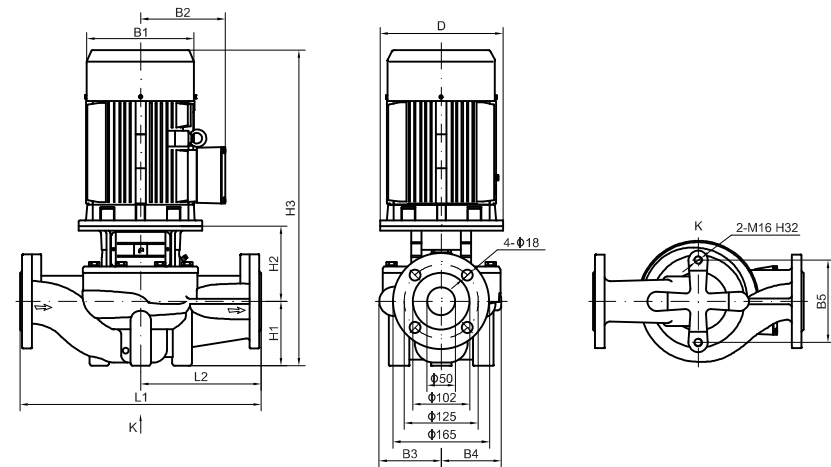


## TD50 Performance table

50Hz

Model	Motor (kW)	Q (m³/h)	2.5	5	7.5	10	12.5	15	17.5	20
TD50-32G/2	3	H (m)	35	34.6	34	33.2	33	30.5	27.9	23.3
TD50-39G/2	4		41.9	41.7	41.3	40.2	39	37.2	34.8	31.2
TD50-49G/2	5.5		51.6	51.2	50.7	50	49	47.5	45.1	41.5
TD50-59G/2	7.5		62.4	62.1	61.4	60.3	59	56.1	51.9	45.7
TD50-80G/2	11		81.9	81.7	81.5	81.1	80	78.3	75.7	71.6

## Installation sketch

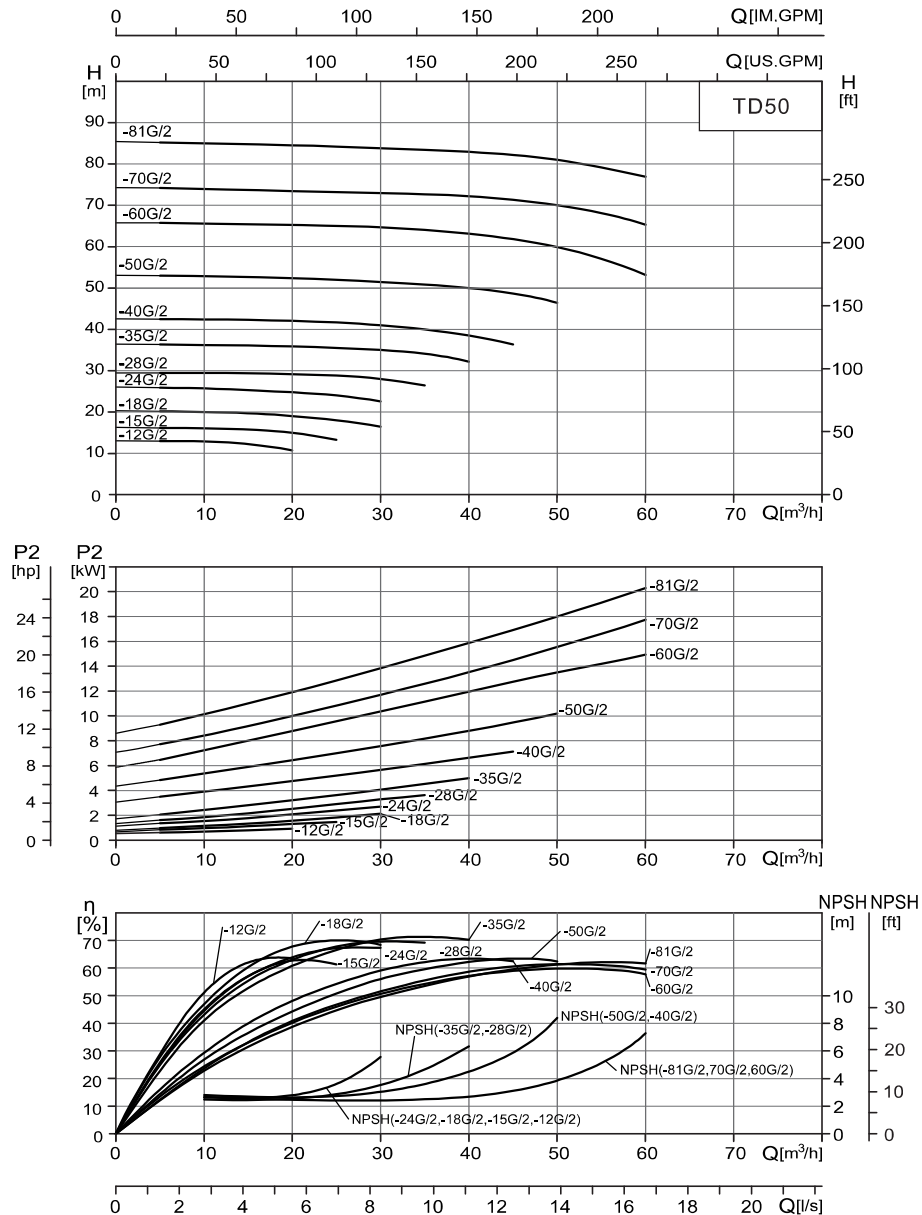


## Dimensions and weights

Model	Dimension(mm)											Weight (kg)
	D	B1	B2	B3	B4	B5	H1	H2	H3	L1	L2	
TD50-32G/2	160	196	150	128	128	144	105	150	592	400	200	64
TD50-39G/2	160	214	169	128	128	144	105	150	597	400	200	71
TD50-49G/2	200	257	190	128	128	144	105	172	660	400	200	88
TD50-59G/2	200	257	190	163	163	144	105	178	666	440	220	112
TD50-80G/2	350	314	261	163	163	144	105	222	783	440	220	184

Note: The dimension of single-phase motor and explosion-proof motor will change. Please consult our company for more details.

## Performance curve

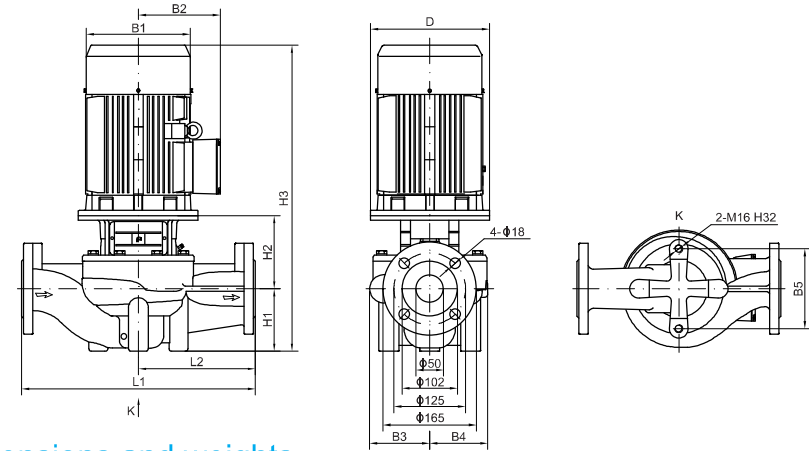


## TD50 Performance table

50Hz

Model	Motor (kW)	Q (m³/h)	5	10	16	20	25	30	35	40	45	50	60
TD50-12G/2	1.1	H (m)	13	12.9	12	10.7							
TD50-15G/2	1.5		16.1	16.1	15.6	15	13.3						
TD50-18G/2	2.2		20.2	20	19.6	19	18	16.4					
TD50-24G/2	3		25.9	25.7	25.2	24.8	24	22.6					
TD50-28G/2	4		29.5	29.5	29.3	29.2	28.8	28	26.4				
TD50-35G/2	5.5		36.3	36.2	36	35.9	35.5	35	34.1	32.2			
TD50-40G/2	7.5		42.5	42.4	42.2	42.1	41.7	41	40	38.5	36.4		
TD50-50G/2	11		53	52.9	52.6	52.4	52	51.5	50.9	50	48.7	48.4	
TD50-60G/2	15		65.8	65.7	65.7	65.6	65.3	64.7	63.9	62.8	61.6	60	53.2
TD50-70G/2	18.5		73.7	73.6	73.4	73.3	73.1	72.9	72.5	72	71.2	70	65.4
TD50-81G/2	22		85.5	85.3	85	84.8	84.5	84	83.5	82.8	82.1	81	77.1

## Installation sketch

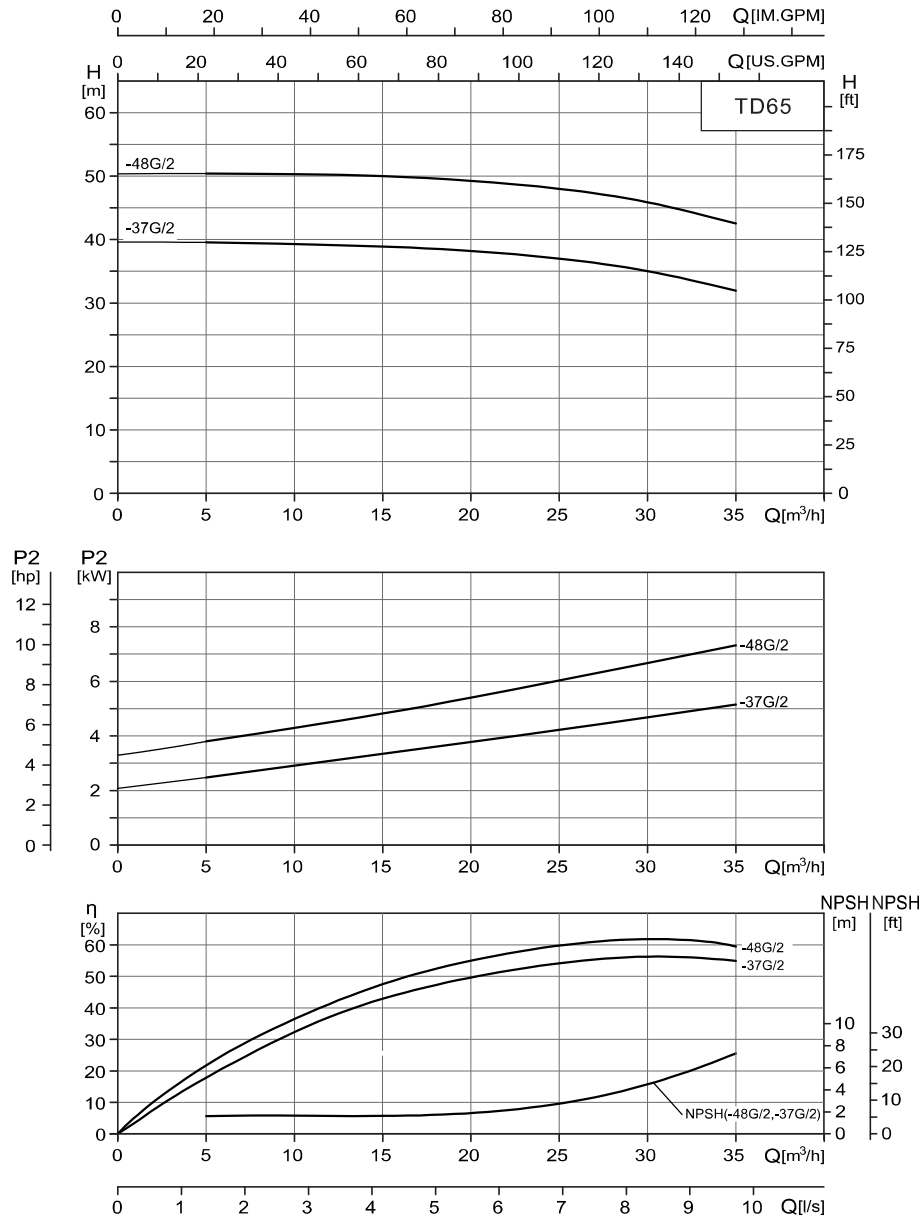


## Dimensions and weights

Model	Dimension(mm)											Weight (kg)
	D	B1	B2	B3	B4	B5	H1	H2	H3	L1	L2	
TD50-12G/2	120	151	125	114	101	144	105	135	484	340	170	37
TD50-15G/2	140	171	137	114	101	144	105	137	529	340	170	42
TD50-18G/2	140	171	137	114	101	144	105	137	529	340	170	45
TD50-24G/2	160	196	150	114	101	144	105	147	589	340	170	55
TD50-28G/2	160	214	169	118	109	144	105	152	599	340	170	64
TD50-35G/2	200	257	190	118	109	144	105	175	663	340	170	81
TD50-40G/2	200	257	190	142	138	144	105	175	663	400	200	98
TD50-50G/2	350	314	261	142	138	144	105	225	830	400	200	173
TD50-60G/2	350	314	261	171	163	144	115	225	840	440	220	196
TD50-70G/2	350	314	261	171	163	144	115	225	884	440	220	203
TD50-81G/2	350	355	273	171	163	144	115	225	917	440	220	256

Note: The dimension of single-phase motor and explosion-proof motor will change. Please consult our company for more details.

## Performance curve

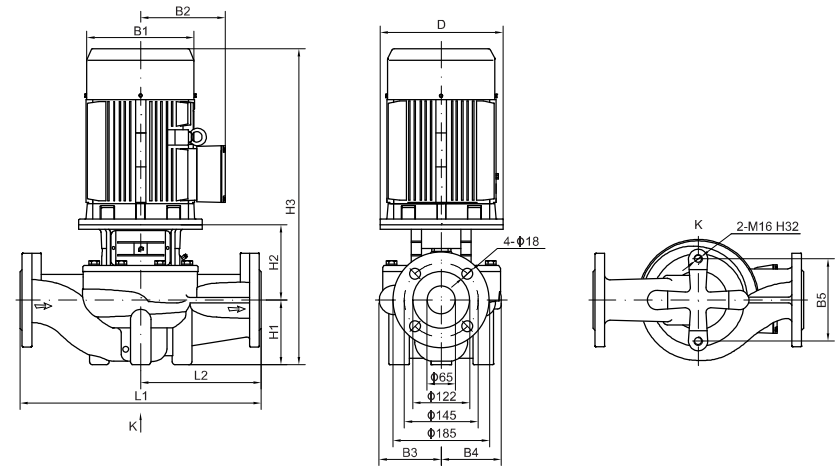


## TD65 Performance table

50Hz

Model	Motor (kW)	Q (m³/h)	5	10	15	20	25	30	35
TD65-37G/2	5.5	H (m)	39.6	39.3	39	38.2	37	35	32.1
TD65-48G/2	7.5	H (m)	50.4	50.3	50	49.3	48	45.9	42.6

## Installation sketch

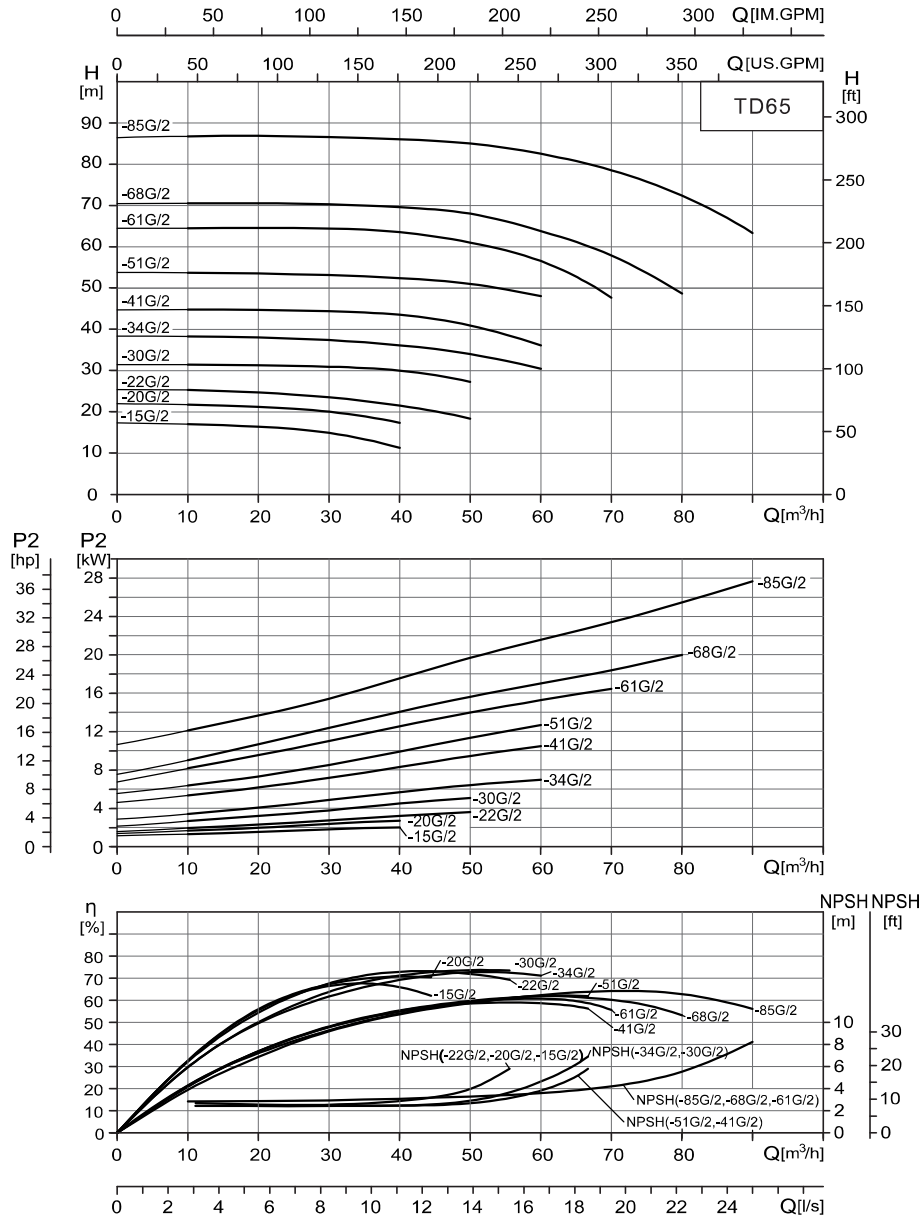


## Dimensions and weights

Model	Dimension(mm)											Weight (kg)
	D	B1	B2	B3	B4	B5	H1	H2	H3	L1	L2	
TD65-37G/2	200	257	190	128	128	144	105	180	668	400	200	90
TD65-48G/2	200	257	190	128	128	144	105	180	668	400	200	98

Note: The dimension of single-phase motor and explosion-proof motor will change. Please consult our company for more details.

## Performance curve

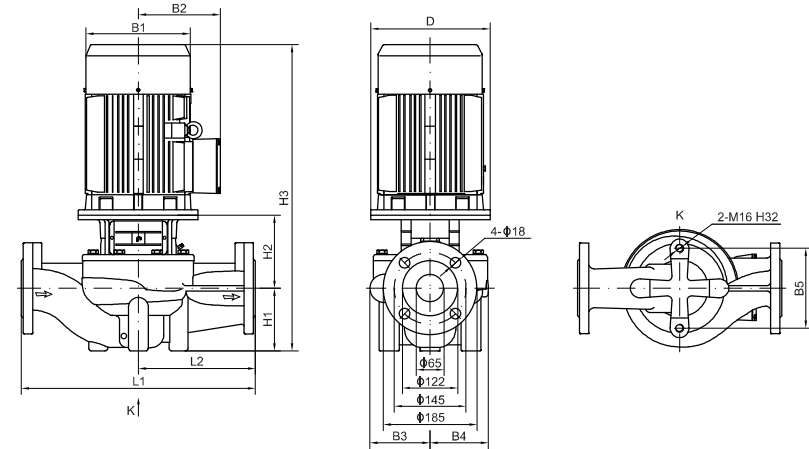


## TD65 Performance table

50Hz

Model	Motor (kW)	Q (m³/h)	10	20	30	40	50	60	70	80	90
TD65-15G/2	2.2	H (m)	17.1	16.4	15	11.3					
TD65-20G/2	3		21.8	21.2	20	17.4					
TD65-22G/2	4		25.1	24.8	23.9	22	18.4				
TD65-30G/2	5.5		31.5	31.3	31	30	27.3				
TD65-34G/2	7.5		38.3	38	37.4	36.1	34	30.5			
TD65-41G/2	11		44.8	44.7	44.4	43.5	41	36.1			
TD65-51G/2	15		53.7	53.5	53.1	52.4	51	48			
TD65-61G/2	18.5		64.5	64.6	64.4	63.5	61	56.5	47.6		
TD65-68G/2	22		70.5	70.5	70.3	69.6	68	63.8	58	48.6	
TD65-85G/2	30		86.7	86.7	86.5	86	85	82.5	78.5	72.4	63.3

## Installation sketch



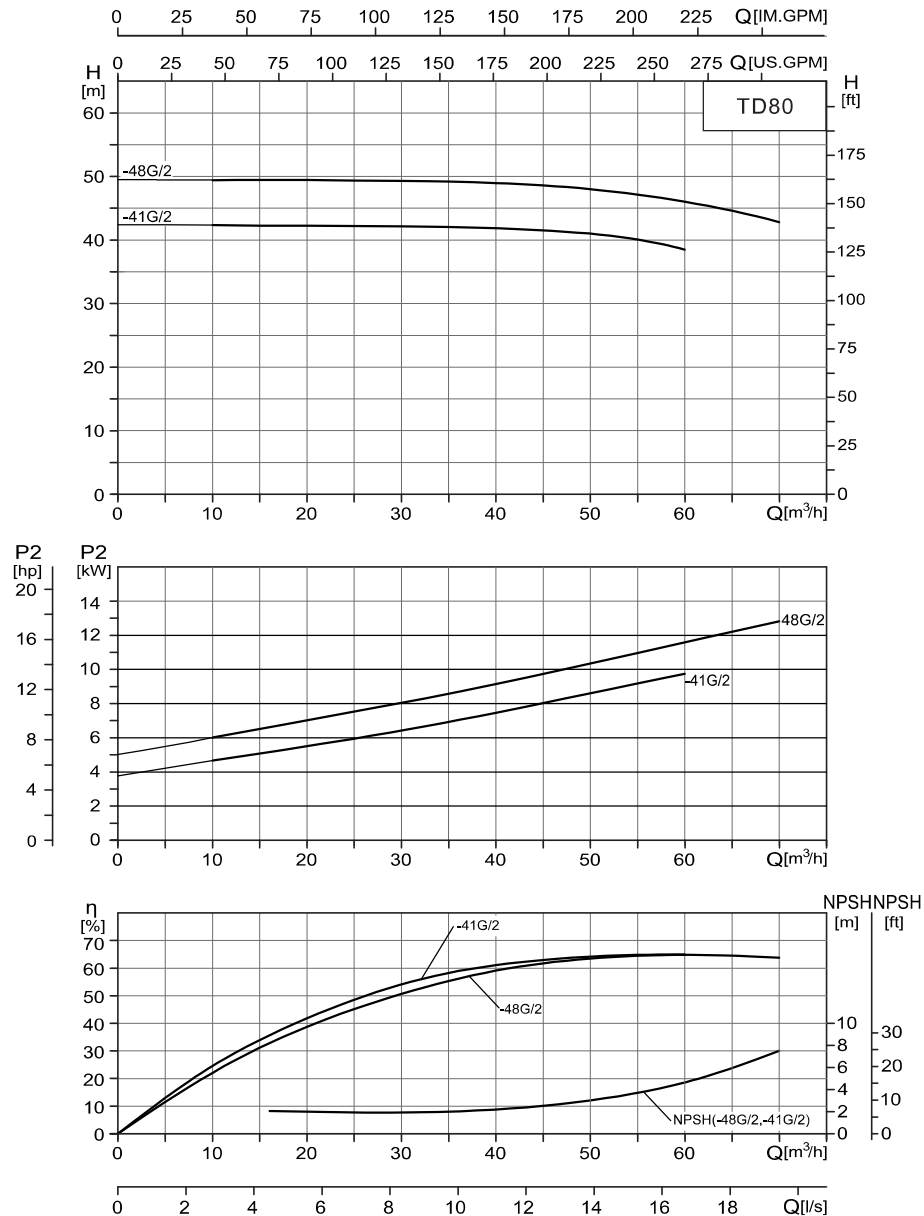
## Dimensions and weights

Model	Dimension(mm)											Weight (kg)
	D	B1	B2	B3	B4	B5	H1	H2	H3	L1	L2	
TD65-15G/2	140	171	137	116	101	144	105	153	545	340	170	48
TD65-20G/2	160	196	150	116	101	144	105	163	605	340	170	57
TD65-22G/2	160	214	169	116	101	144	105	163	610	340	170	64
TD65-30G/2	200	257	190	131	115	144	105	194	682	360	180	85
TD65-34G/2	200	257	190	131	115	144	105	194	682	360	180	94
TD65-41G/2	350	314	261	148	138	144	105	234	839	400	200	173
TD65-51G/2	350	314	261	148	138	144	105	234	839	400	200	188
TD65-61G/2	350	314	261	174	162	160	125	228	897	475	238	208
TD65-68G/2	350	355	273	174	162	160	125	228	930	475	238	260
TD65-85G/2	400	397	314	174	162	160	125	231	1008	475	238	322

Note: The dimension of single-phase motor and explosion-proof motor will change. Please consult our company for more details.



## Performance curve

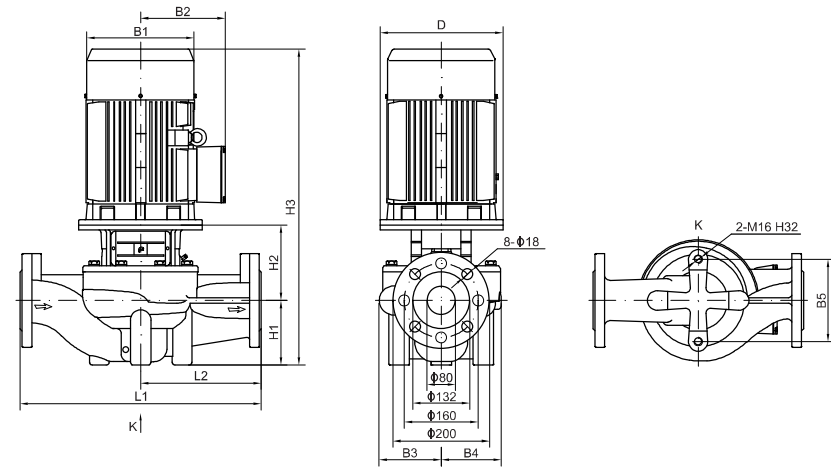


## TD80 Performance table

50Hz

Model	Motor (kW)	Q (m³/h)	10	20	30	40	50	60	70
TD80-41G/2	11	H	42.3	42.2	42.1	41.8	41	38.4	
TD80-48G/2	15	(m)	49.4	49.4	49.3	49	48	46	42.8

## Installation sketch

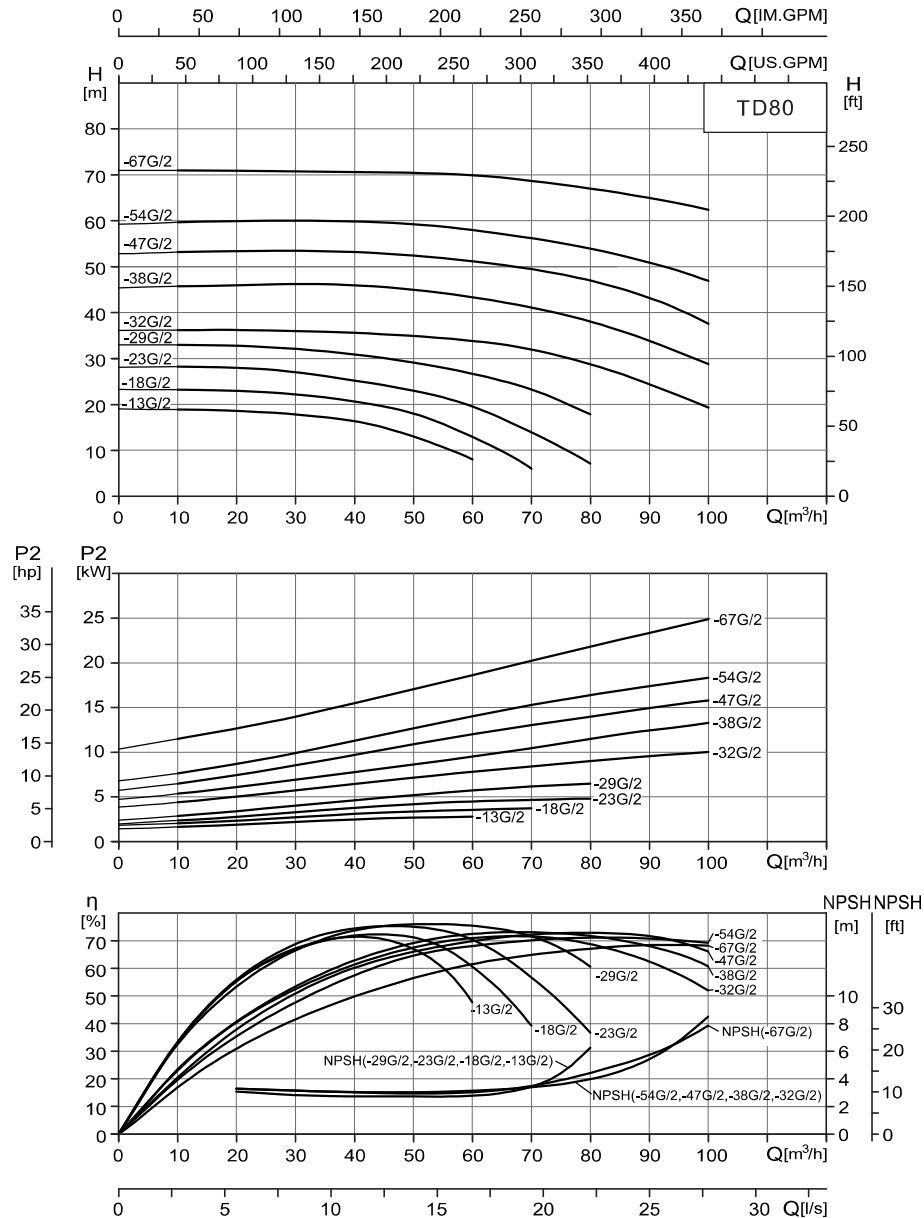


## Dimensions and weights

Model	Dimension (mm)											Weight (kg)
	D	B1	B2	B3	B4	B5	H1	H2	H3	L1	L2	
TD80-41G/2	350	314	261	137	128	144	115	221	836	500	250	176
TD80-48G/2	350	314	261	137	128	144	115	221	836	500	250	191

Note: The dimension of single-phase motor and explosion-proof motor will change. Please consult our company for more details.

## Performance curve

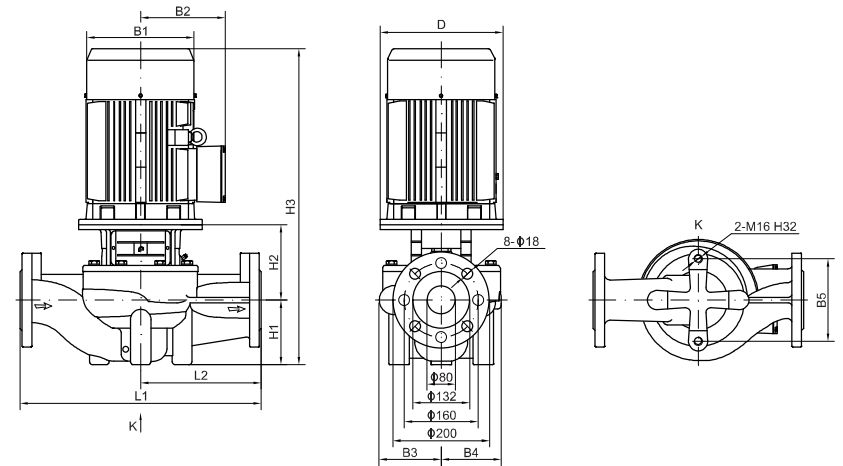


## TD80 Performance table

50Hz

Model	Motor (kW)	Q (m³/h)	10	20	30	40	50	60	70	80	90	100
TD80-13G/2	3	H (m)	18.9	18.6	17.8	16.3	13	8				
TD80-18G/2	4		23.2	23	22.2	20.6	18	12.9	6			
TD80-23G/2	5.5		28.2	28	27	25.2	23	19.5	13.9	7.1		
TD80-29G/2	7.5		33	32.8	32.1	30.9	29	26.7	23.2	17.8		
TD80-32G/2	11		36.2	36.2	36	35.6	34.9	33.8	32	28.7	24.4	19.3
TD80-38G/2	15		45.7	45.9	46.2	45.9	45	43.3	41.1	38	33.8	28.8
TD80-47G/2	18.5		53.2	53.4	53.4	53.2	52.4	51.2	49.4	47	43.2	37.6
TD80-54G/2	22		59.7	59.9	60	59.8	59.2	58	56.2	54	50.9	46.9
TD80-67G/2	30		71	70.9	70.8	70.6	70.4	69.9	68.7	67	65	62.3

## Installation sketch

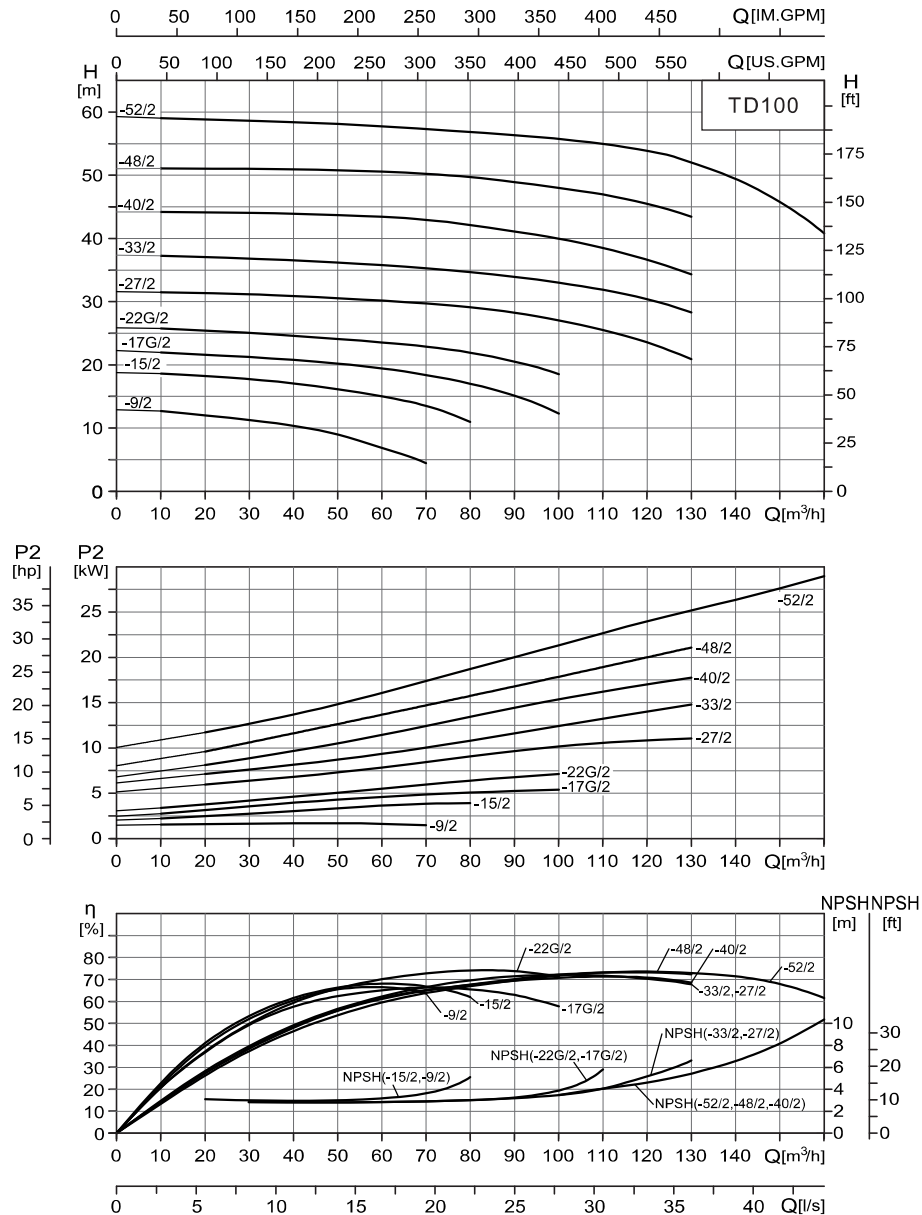


## Dimensions and weights

Model	Dimension(mm)											Weight (kg)
	D	B1	B2	B3	B4	B5	H1	H2	H3	L1	L2	
TD80-13G/2	160	196	150	134	112	144	105	171	613	400	200	63
TD80-18G/2	160	214	169	134	112	144	105	171	618	400	200	70
TD80-23G/2	200	257	190	134	112	144	105	195	683	400	200	87
TD80-29G/2	200	257	190	134	112	144	105	195	683	400	200	95
TD80-32G/2	350	314	261	159	138	144	115	240	855	450	225	179
TD80-38G/2	350	314	261	159	138	144	115	240	855	450	225	194
TD80-47G/2	350	314	261	159	138	144	115	240	899	450	225	203
TD80-54G/2	350	355	273	159	138	144	115	240	932	450	225	256
TD80-67G/2	400	397	314	180	162	160	115	242	1017	500	250	324

Note: The dimension of single-phase motor and explosion-proof motor will change. Please consult our company for more details.

## Performance curve

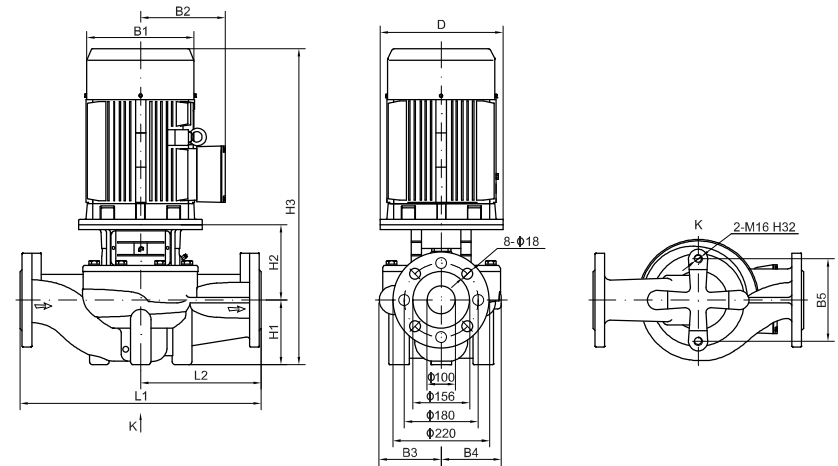


## TD100 Performance table

50Hz

Model	Motor (kW)	Q (m³/h)	10	20	30	40	50	60	70	80	90	100	110	120	130	145	160	
TD100-9/2	2.2	H (m)	13.9	13.2	12.2	10.8	9	6.8	4.4									
TD100-15/2	4		18.6	18.2	17.7	17.1	16.2	15	13.4	11								
TD100-17G/2	5.5		21.9	21.6	21.2	20.8	20	19.4	18.4	17	15.1	12.3						
TD100-22G/2	7.5		25.7	25.5	25	24.6	24.1	23.6	22.9	21.9	20.5	18.6						
TD100-27/2	11		31.5	31.3	31.1	30.9	30.7	30.3	29.8	29.2	28.2	27	25.5	23.6	20.8			
TD100-33/2	15		37.1	37	36.8	36.6	36.2	35.8	35.3	34.7	33.9	33	31.7	30.1	27.9			
TD100-40G/2	18.5		44.1	44.1	44	43.9	43.7	43.4	42.9	42.1	41.1	40	38.5	36.6	34.3			
TD100-48G/2	22		51.2	51.1	51	51	50.8	50.6	50.2	49.7	48.9	48	47.0	45.5	43.5			
TD100-52G/2	30		59.1	58.9	58.7	58.4	58.2	57.8	57.3	56.9	56.4	55.8	55	53.9	52	47.7	40.8	

## Installation sketch

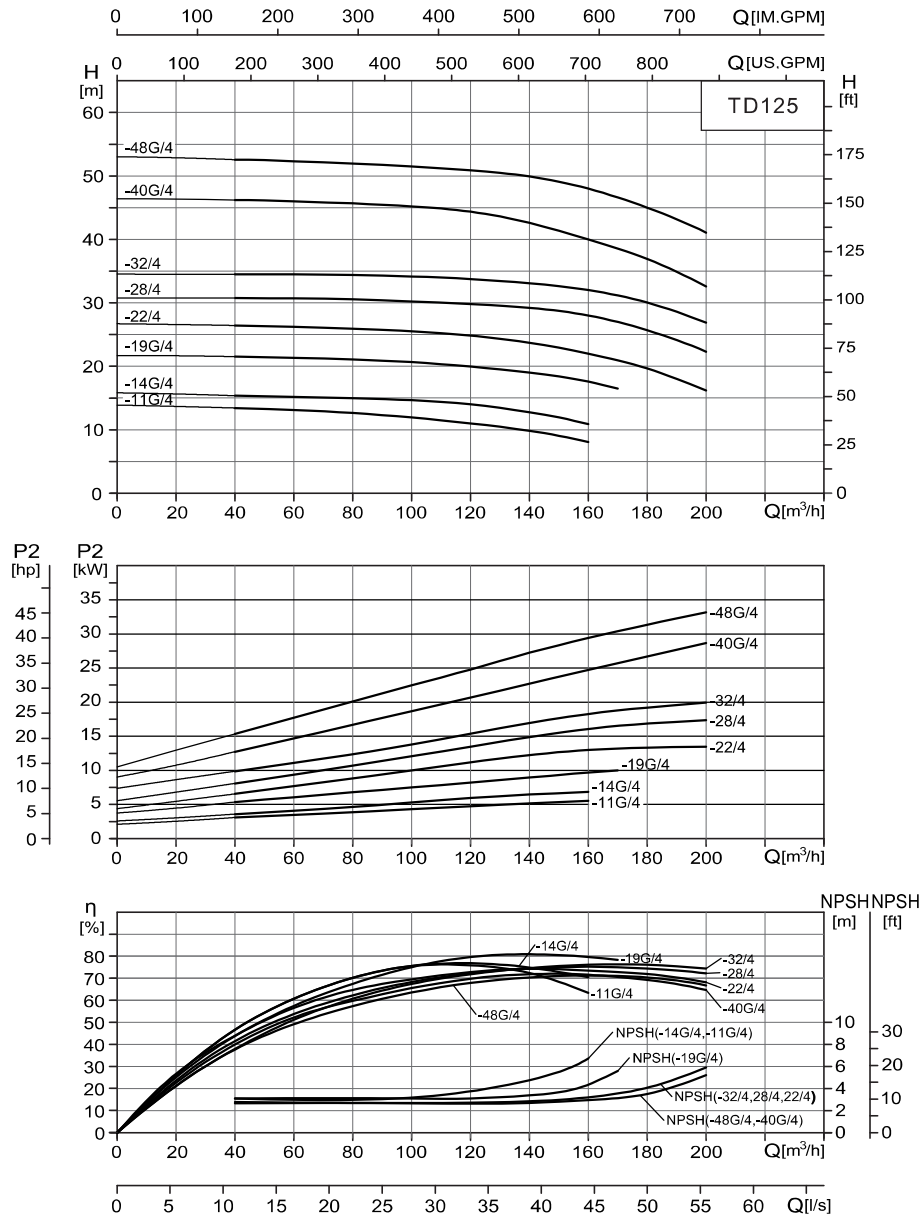


## Dimensions and weights

Model	Dimension(mm)											Weight (kg)
	D	B1	B2	B3	B4	B5	H1	H2	H3	L1	L2	
TD100-9/2	140	171	137	134	101	160	105	178	570	450	225	56
TD100-15/2	160	214	169	134	101	160	105	190	637	450	225	73
TD100-17G/2	200	257	190	146	118	144	120	199	702	450	225	96
TD100-22G/2	200	257	190	146	118	144	120	199	702	450	225	104
TD100-27/2	350	314	261	147	123	144	140	260	900	550	275	187
TD100-33/2	350	314	261	147	123	144	140	260	900	550	275	202
TD100-40G/2	350	314	261	181	152	230	140	270	954	550	275	220
TD100-48G/2	350	355	273	181	152	230	140	270	987	550	275	273
TD100-52G/2	400	397	314	181	152	230	140	270	1062	550	275	336

Note: The dimension of single-phase motor and explosion-proof motor will change. Please consult our company for more details.

## Performance curve

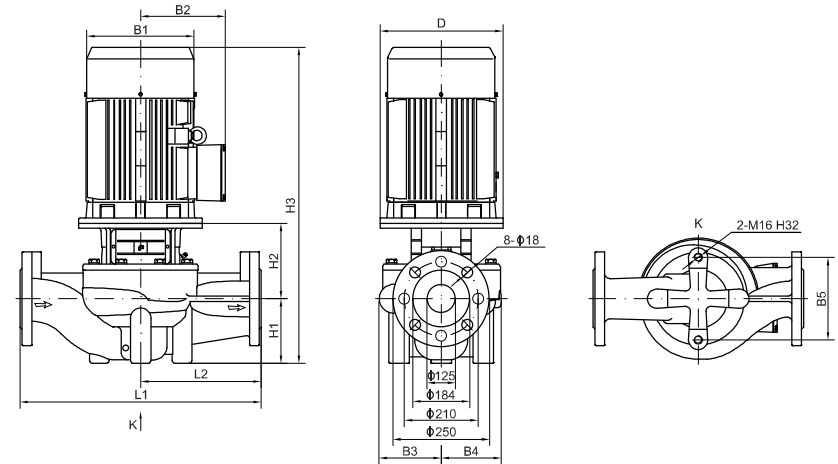


## TD125 Performance table

50Hz

Model	Motor (kW)	Q (m³/h)	40	60	80	100	120	140	160	170	180	200
TD125-11G/4	5.5	H (m)	13.4	13.1	12.6	11.9	11	9.8	8.1			
TD125-14G/4	7.5		15.4	15.2	15	14.7	14	12.8	10.9			
TD125-19G/4	11		21.5	21.3	21.1	20.7	19.9	19	17.6	16.5		
TD125-22G/4	15		26.7	26.5	26.2	25.7	24.9	23.7	22	20.9	19.8	16.7
TD125-28G/4	18.5		30.9	30.8	30.7	30.5	30.1	29.3	28	26.9	25.8	22.2
TD125-32G/4	22		34.6	34.6	34.5	34.4	34	33.3	32	31.1	30.2	27.3
TD125-40G/4	30		46.2	46	45.7	45.2	44.3	42.5	40	38.5	36.9	32.5
TD125-48G/4	37		52.6	52.3	51.9	51.5	50.9	49.9	48	46.6	45	41.1

## Installation sketch

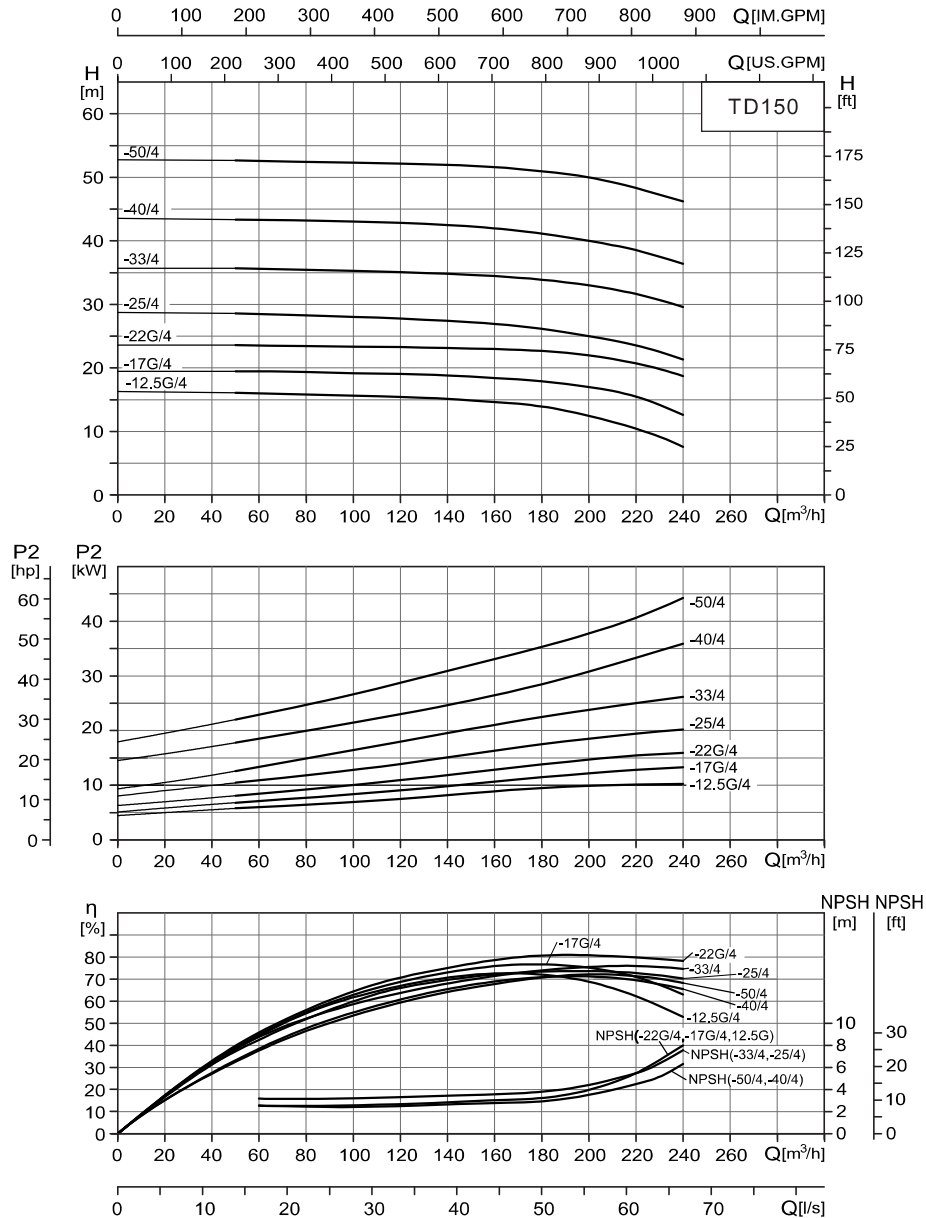


## Dimensions and weights

Model	Dimension(mm)											Weight (kg)
	D	B1	B2	B3	B4	B5	H1	H2	H3	L1	L2	
TD125-11G/4	200	257	190	198	162	230	160	229	772	620	310	140
TD125-14G/4	200	257	190	198	162	230	160	229	772	620	310	150
TD125-19G/4	350	314	261	213	178	230	160	301	961	660	330	255
TD125-22G/4	350	314	261	236	208	230	215	292	1051	800	400	310
TD125-28G/4	350	355	273	236	208	230	215	292	1084	800	400	340
TD125-32G/4	350	355	273	236	208	230	215	292	1122	800	400	361
TD125-40G/4	400	397	314	261	233	230	160	298	1110	800	400	455
TD125-48G/4	400	445	334	261	233	230	160	313	1167	800	400	492

Note: The dimension of single-phase motor and explosion-proof motor will change. Please consult our company for more details.

## Performance curve

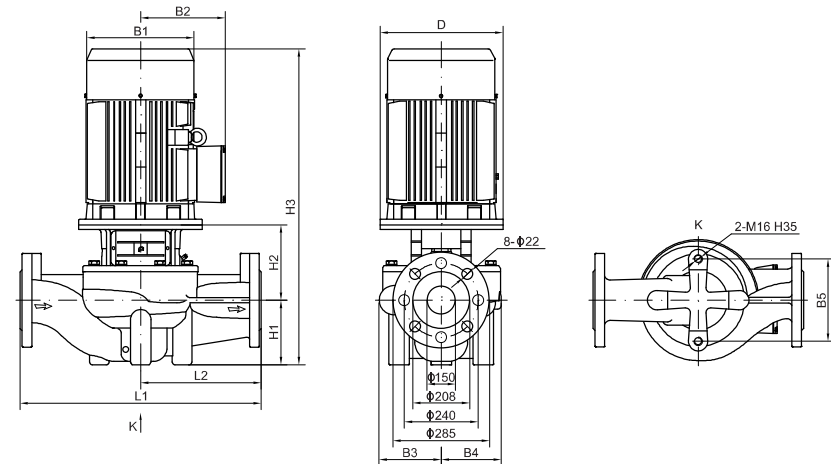


## TD150 Performance table

50Hz

Model	Motor (kW)	Q (m³/h)	50	80	100	120	140	160	180	200	220	240
TD150-12.5G/4	11	H (m)	16.1	15.8	15.6	15.4	15.1	14.6	13.9	12.5	10.4	7.6
TD150-17G/4	15		19.5	19.4	19.2	19.1	18.8	18.4	17.9	17	15.5	12.6
TD150-22G/4	18.5		23.6	23.4	23.4	23.2	23.1	23	22.7	22	20.7	18.7
TD150-25/4	22		28.1	28	27.9	27.7	27.3	26.8	26.1	25	23.5	21.3
TD150-33/4	30		35.5	35.4	35.3	35.1	34.8	34.4	33.9	33	31.5	29.6
TD150-40/4	37		43.1	43	42.9	42.7	42.4	41.9	41.1	40	38.4	36.2
TD150-50/4	45		52.4	52.2	52.1	51.9	51.7	51.4	50.9	50	48.7	46.7

## Installation sketch

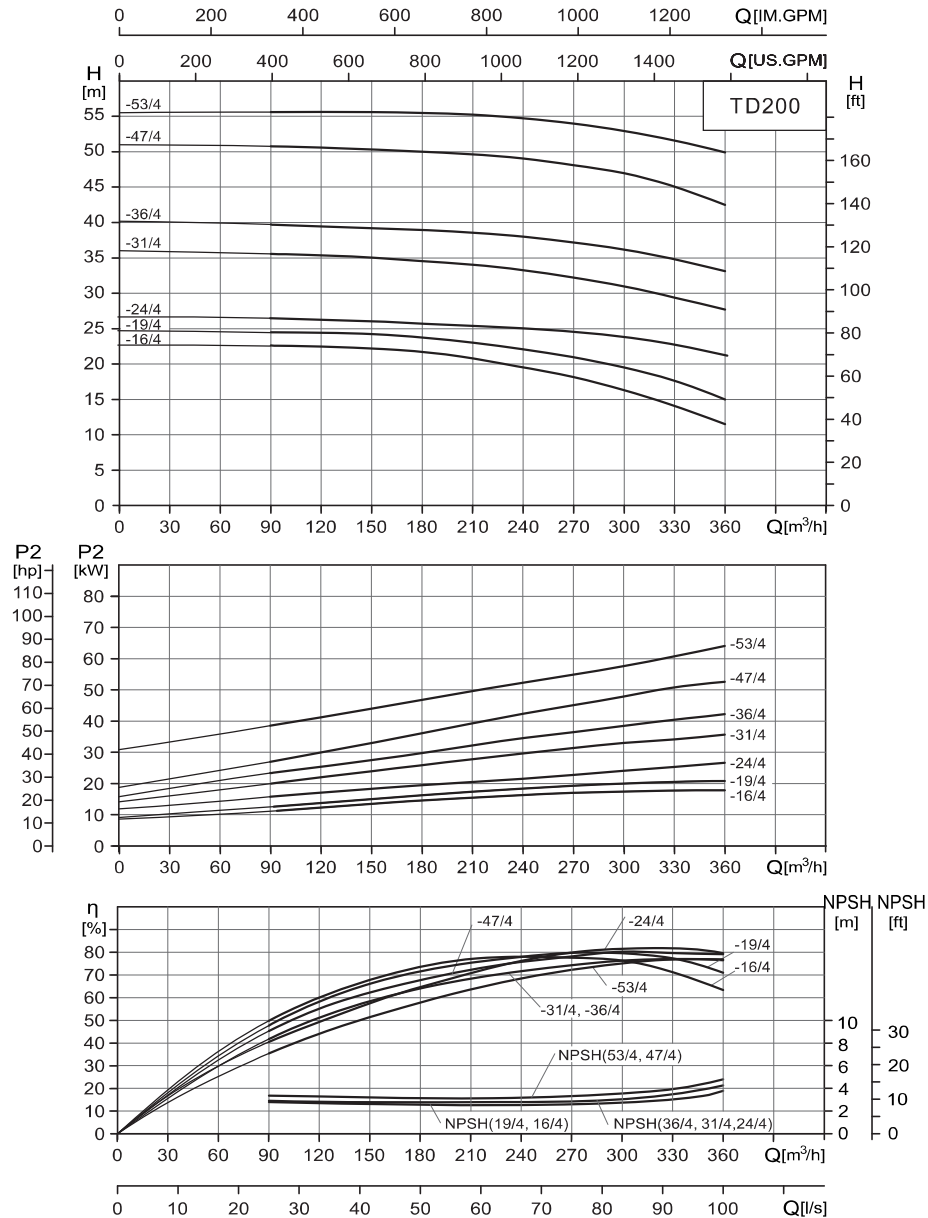


## Dimensions and weights

Model	Dimension(mm)											Weight (kg)
	D	B1	B2	B3	B4	B5	H1	H2	H3	L1	L2	
TD150-12.5G/4	350	314	261	217	180	230	175	297	972	660	330	260
TD150-17G/4	350	314	261	217	180	230	175	297	1016	660	330	281
TD150-22G/4	350	355	273	217	180	230	175	297	1049	660	330	312
TD150-25/4	350	355	273	238	208	230	215	269	1061	800	400	365
TD150-33/4	400	397	314	238	208	230	215	269	1136	800	400	445
TD150-40/4	450	445	334	267	248	230	230	288	1212	900	450	518
TD150-50/4	450	445	334	267	248	230	230	288	1212	900	450	570

Note: The dimension of single-phase motor and explosion-proof motor will change. Please consult our company for more details.

## Performance curve

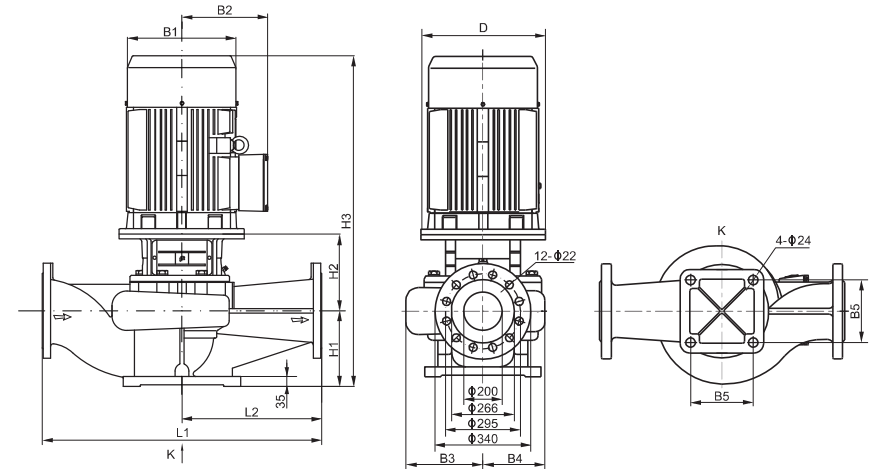


## TD200 Performance table

50Hz

Model	Motor (kW)	Q (m³/h)	90	120	150	180	210	240	270	300	330	360
TD200-16/4	18.5	H (m)	22.6	22.4	22.2	21.7	20.7	19.4	18.1	16	14	11.5
TD200-19/4	22		24.4	24.3	24.2	23.7	23	22	20.9	19	17.6	15
TD200-24/4	30		26.1	26	25.8	25.7	25.4	25.1	24.6	24	23.1	21.5
TD200-31/4	37		35.4	35.3	35	34.5	33.9	33.2	32.2	31	29.3	27.6
TD200-36/4	45		39.6	39.4	39.1	38.8	38.5	37.9	37	36	34.7	33
TD200-47/4	55		50.6	50.5	50.2	49.8	49.5	48.9	48	47	44.9	42.4
TD200-53/4	75		55.7	55.7	55.7	55.5	55.3	54.8	54	53	51.6	50

## Installation sketch



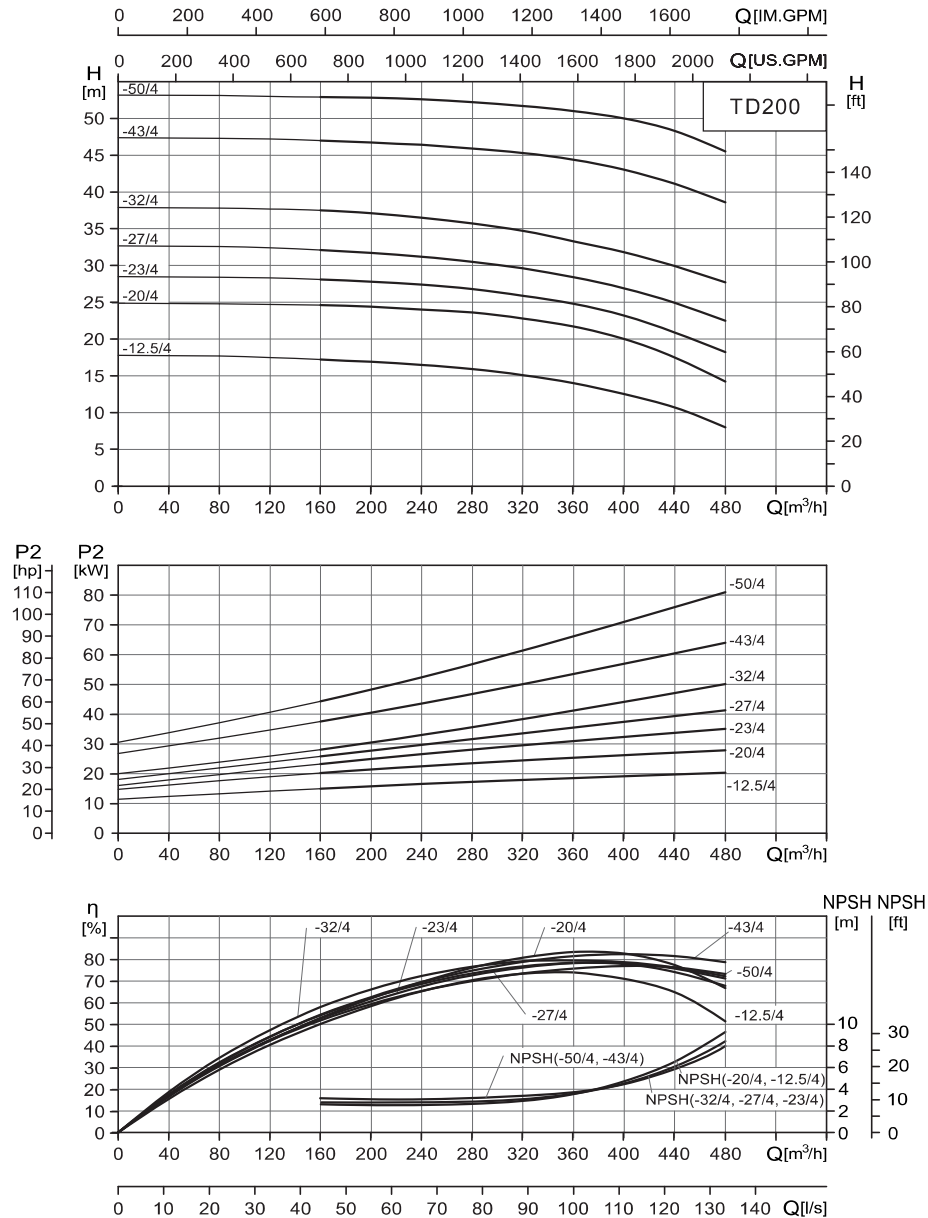
## Dimensions and weights

Model	Dimension (mm)											Weight (kg)
	D	B1	B2	B3	B4	B5	H1	H2	H3	L1	L2	
TD200-16/4	350	355	273	278	219	360	270	415	1265	1000	500	417
TD200-19/4	350	355	273	278	219	360	270	415	1305	1000	500	434
TD200-24/4	400	397	314	303	252	360	270	415	1335	1100	550	537
TD200-31/4	450	445	334	303	252	360	270	445	1395	1100	550	602
TD200-36/4	450	445	334	303	252	360	270	445	1420	1100	550	648
TD200-47/4	550	484	367	315	269	360	270	457	1517	1100	550	744
TD200-53/4	550	547	407	315	269	360	270	457	1587	1100	550	877

Note: The dimension of single-phase motor and explosion-proof motor will change. Please consult our company for more details.



## Performance curve

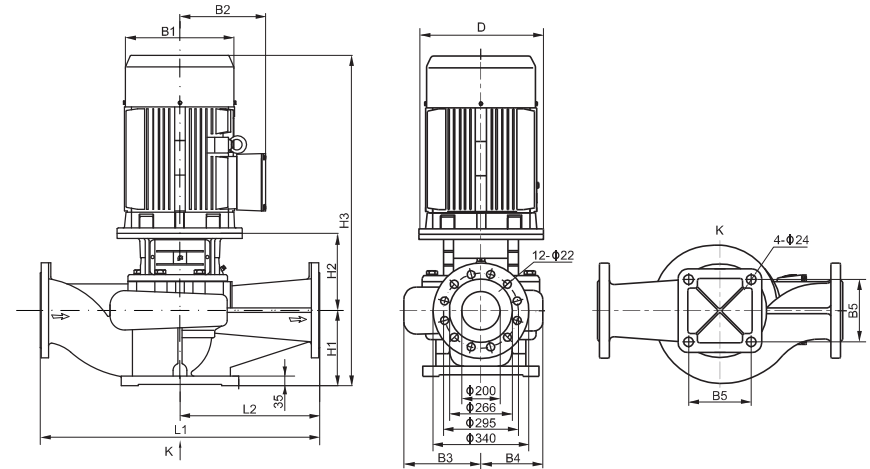


## TD200 Performance table

50Hz

Model	Motor (kW)	Q (m³/h)	160	200	240	280	320	360	400	440	480
TD200-12.5/4	22	H (m)	17.2	16.9	16.5	15.9	15.1	14	12.5	10.7	8
TD200-20/4	30		24.6	24.4	24	23.6	22.8	21.7	20	17.5	14.2
TD200-23/4	37		28.1	27.8	27.4	26.8	25.9	24.8	23	20.9	18.2
TD200-27/4	45		32.1	31.7	31.2	30.5	29.6	28.4	27	24.9	22.5
TD200-32/4	55		37.5	37.1	36.5	35.7	34.7	33.3	32	29.9	27.7
TD200-43/4	75		47	46.7	46.4	45.9	45.3	44.4	43	41.1	38.6
TD200-50/4	90		52.9	52.8	52.6	52.2	51.7	51	50	48.3	45.5

## Installation sketch

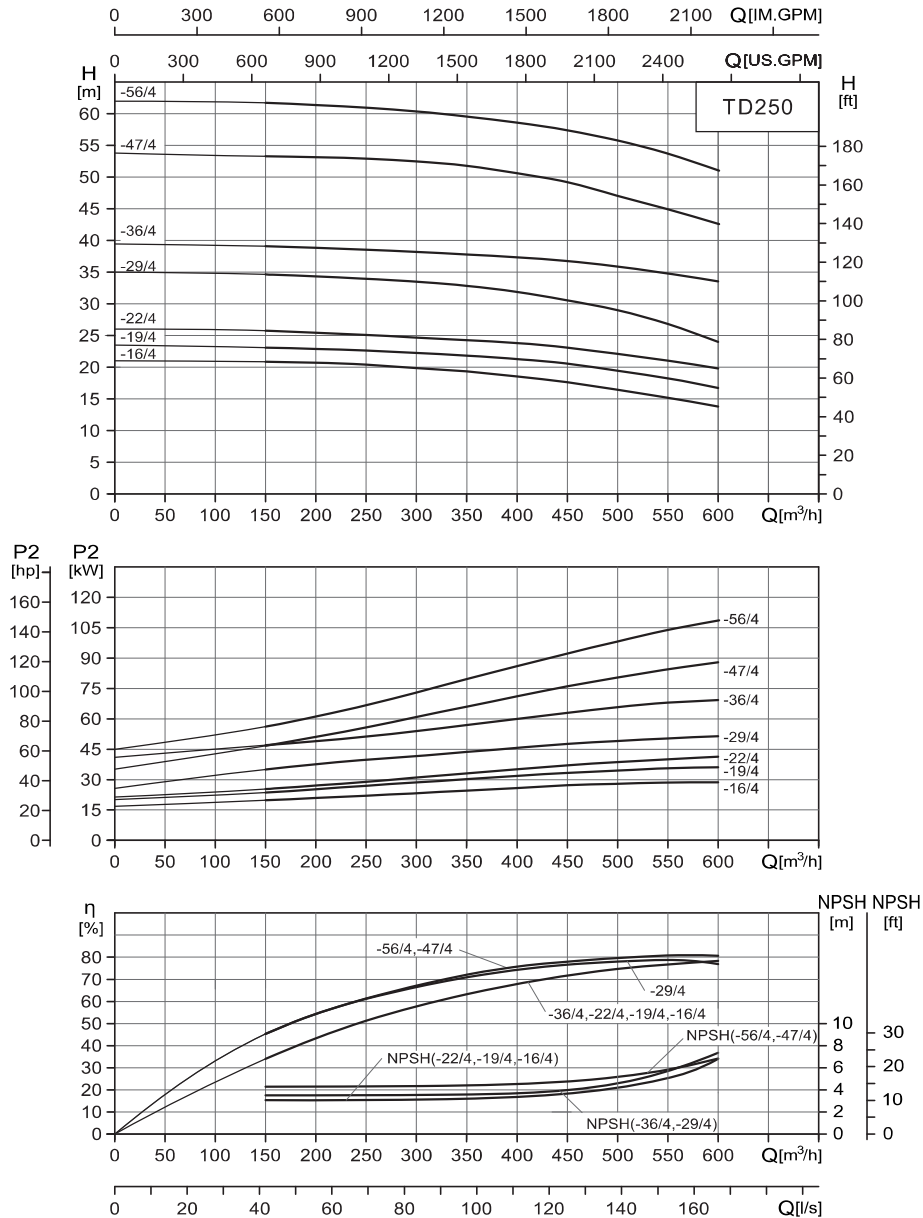


## Dimensions and weights

Model	Dimension(mm)											Weight (kg)
	D	B1	B2	B3	B4	B5	H1	H2	H3	L1	L2	
TD200-12.5/4	350	355	273	278	219	360	270	415	1300	1000	500	432
TD200-20/4	400	397	314	278	219	360	270	415	1334	1000	500	492
TD200-23/4	450	445	334	303	252	360	270	445	1389	1100	550	602
TD200-27/4	450	445	334	303	252	360	270	445	1412	1100	550	638
TD200-32/4	550	484	367	303	252	360	270	445	1488	1100	550	710
TD200-43/4	550	547	407	315	269	360	270	457	1556	1100	550	883
TD200-50/4	550	547	407	315	269	360	270	457	1607	1100	550	975

Note: The dimension of single-phase motor and explosion-proof motor will change. Please consult our company for more details.

## Performance curve

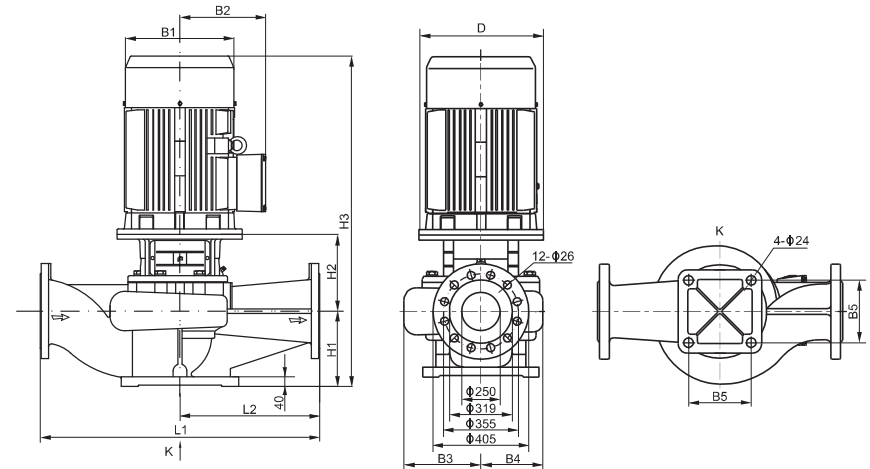


## TD250 Performance table

50Hz

Model	Motor (kW)	Q (m³/h)	150	200	250	300	350	400	450	500	550	600
TD250-16/4	30	H (m)	20.5	20.4	20.1	19.6	19	18.2	17.3	16	14.7	13.3
TD250-19/4	37		22.7	22.4	22.1	21.7	21.3	20.8	20.1	19	17.9	16.6
TD250-22/4	45		25.7	25.3	25.1	24.7	24.3	23.8	23.1	22	21	19.7
TD250-29/4	55		34.6	34.4	34	34.4	32.6	31.8	30.6	29	26.8	23.9
TD250-36/4	75		39.1	38.8	38.5	38.2	37.8	37.3	36.8	36	34.3	32.5
TD250-47/4	90		53.3	53.1	52.9	52.4	51.8	50.6	49.2	47	45	42.5
TD250-56/4	110		61.6	61.4	60.9	60.2	59.5	58.6	57.4	56	53.8	51

## Installation sketch

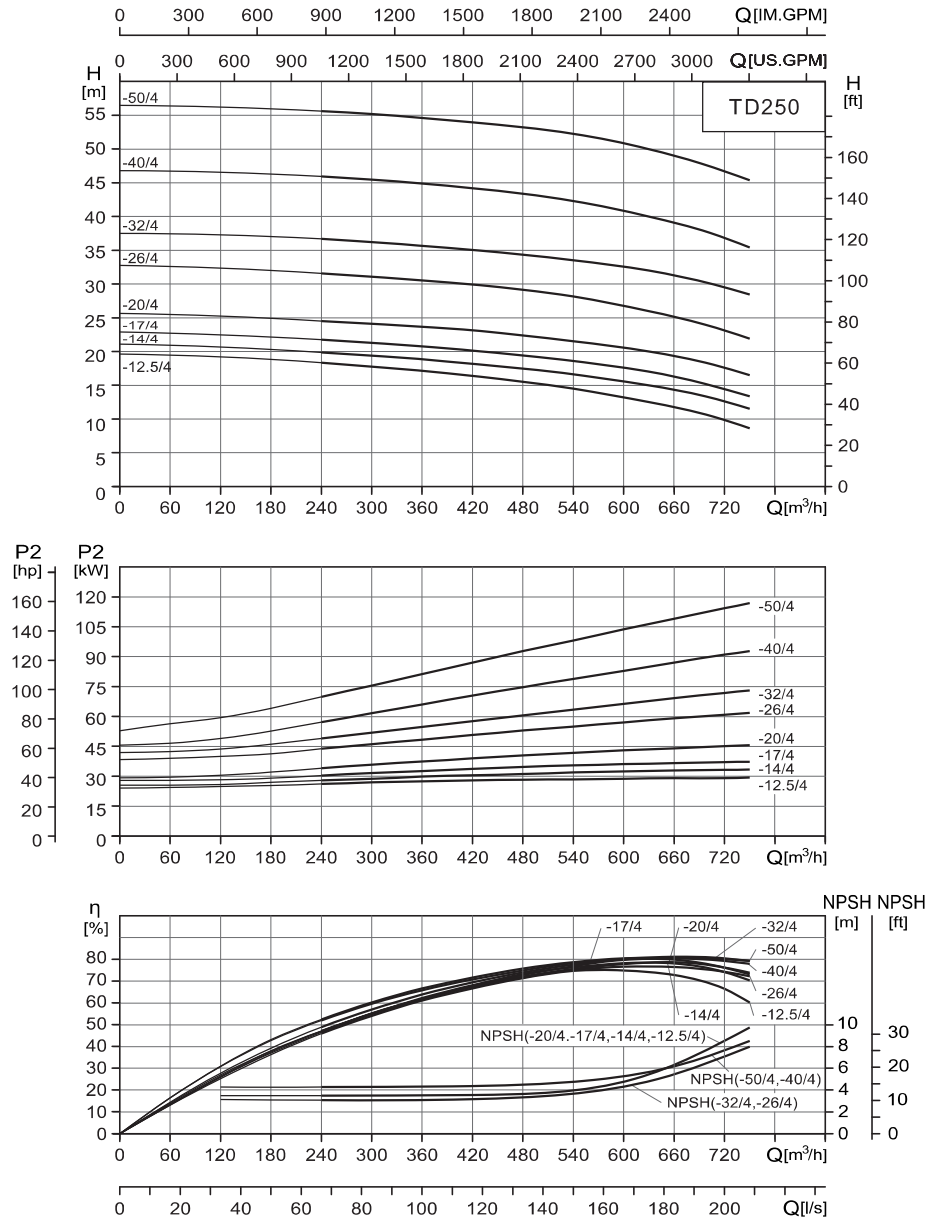


## Dimensions and weights

Model	Dimension (mm)											Weight (kg)
	D	B1	B2	B3	B4	B5	H1	H2	H3	L1	L2	
TD250-16/4	400	397	314	316	243	390	300	465	1430	1100	550	550
TD250-19/4	450	445	334	316	243	390	300	495	1475	1100	550	611
TD250-22/4	450	445	334	316	243	390	300	495	1500	1100	550	647
TD250-29/4	550	484	367	329	264	440	300	507	1597	1100	550	773
TD250-36/4	550	547	407	329	264	440	300	507	1667	1100	550	909
TD250-47/4	550	547	407	347	292	440	305	485	1700	1200	600	1030
TD250-56/4	660	645	535	347	292	440	305	525	1860	1200	600	1389

Note: The dimension of single-phase motor and explosion-proof motor will change. Please consult our company for more details.

## Performance curve

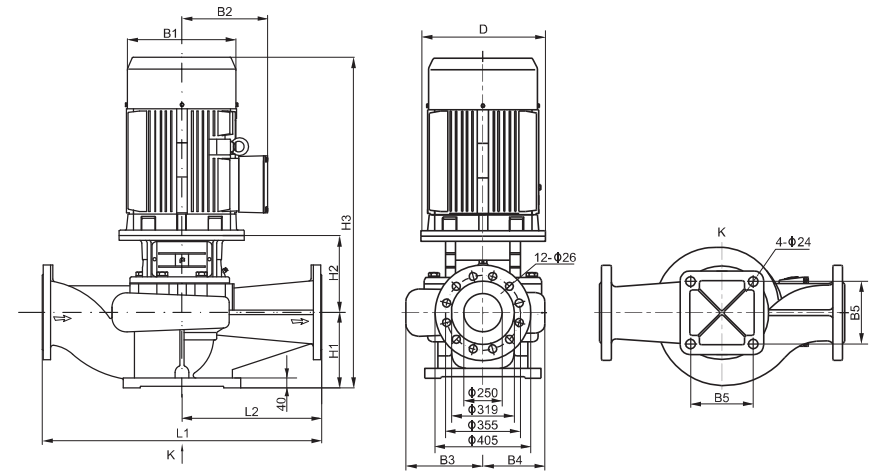


## TD250 Performance table

50Hz

Model	Motor (kW)	Q (m³/h)	240	300	360	420	480	540	600	630	660	720	750
TD250-12.5/4	30	H (m)	18.4	17.9	17.2	16.4	15.5	14.5	13.2	12.5	11.8	9.9	8.7
TD250-14/4	37		20	19.5	18.9	18.2	17.5	16.6	15.6	14	13.4	12.6	11.6
TD250-17/4	45		21.8	21.3	20.8	20.1	19.4	18.6	17.6	17	16.3	14.4	13.4
TD250-20/4	55		24.5	24.1	23.7	23.1	22.4	21.5	20.5	20	19.3	17.6	16.5
TD250-26/4	75		31.7	31.1	30.6	29.9	29.1	28.2	26.8	26	25.2	23.1	21.9
TD250-32/4	90		36.7	36.3	35.7	35.1	34.3	33.5	32.6	32	31.3	29.5	28.4
TD250-40/4	110		46	45.5	44.9	44.2	43.4	42.3	40.8	40	39.1	36.8	35.5
TD250-50/4	132		55.6	55.2	54.6	53.9	53.2	52.3	50.9	50	49	46.7	45.4

## Installation sketch

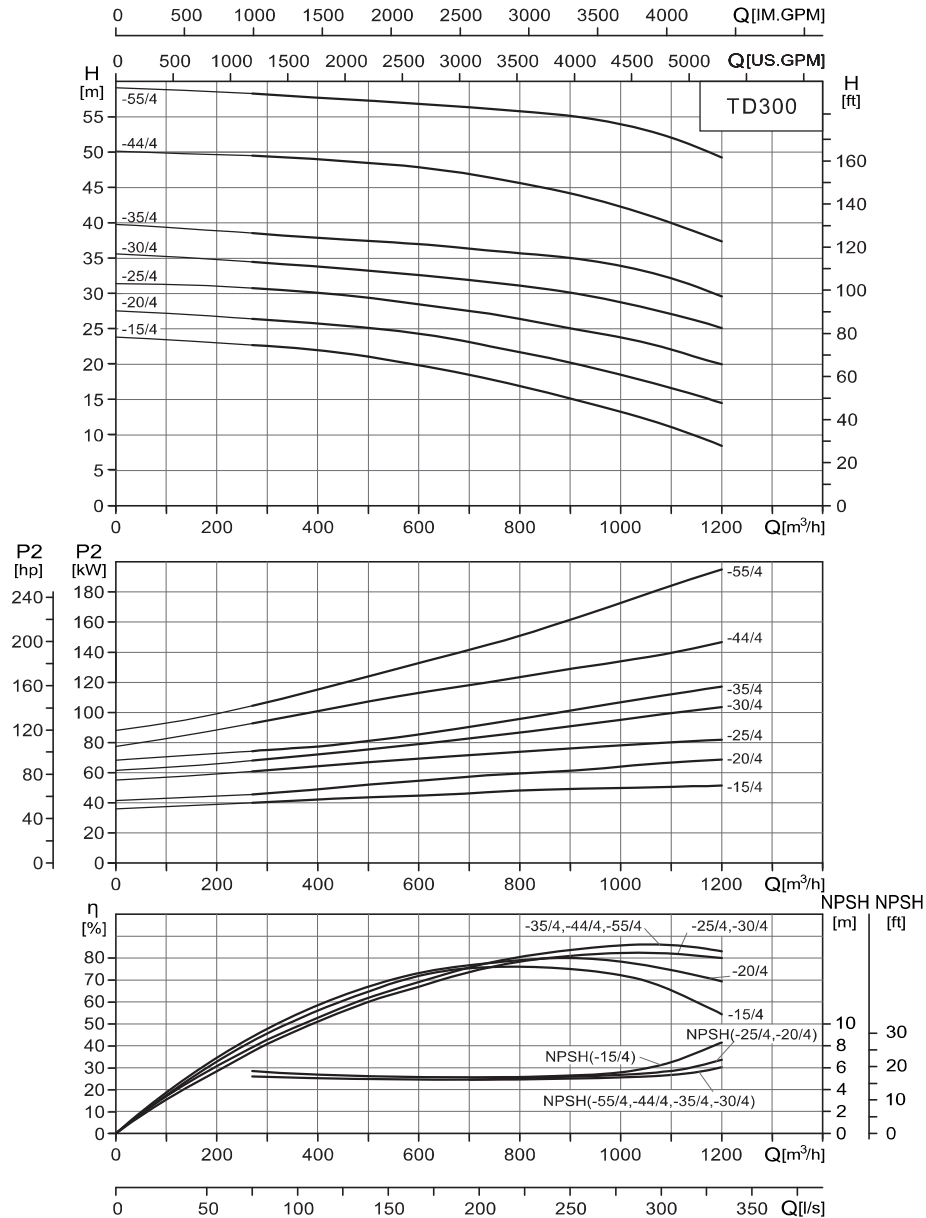


## Dimensions and weights

Model	Dimension (mm)											Weight (kg)
	D	B1	B2	B3	B4	B5	H1	H2	H3	L1	L2	
TD250-12.5/4	400	397	314	316	243	390	300	465	1414	1100	550	552
TD250-14/4	450	445	334	316	243	390	300	495	1469	1100	550	613
TD250-17/4	450	445	334	316	243	390	300	495	1492	1100	550	649
TD250-20/4	550	484	367	316	243	390	300	495	1568	1100	550	722
TD250-26/4	550	547	407	329	264	440	300	507	1636	1100	550	909
TD250-32/4	550	547	407	329	264	440	300	507	1687	1100	550	999
TD250-40/4	660	645	535	347	292	440	305	525	1840	1200	600	1389
TD250-50/4	660	645	535	347	292	440	305	525	1990	1200	600	1473

Note: The dimension of single-phase motor and explosion-proof motor will change. Please consult our company for more details.

## Performance curve

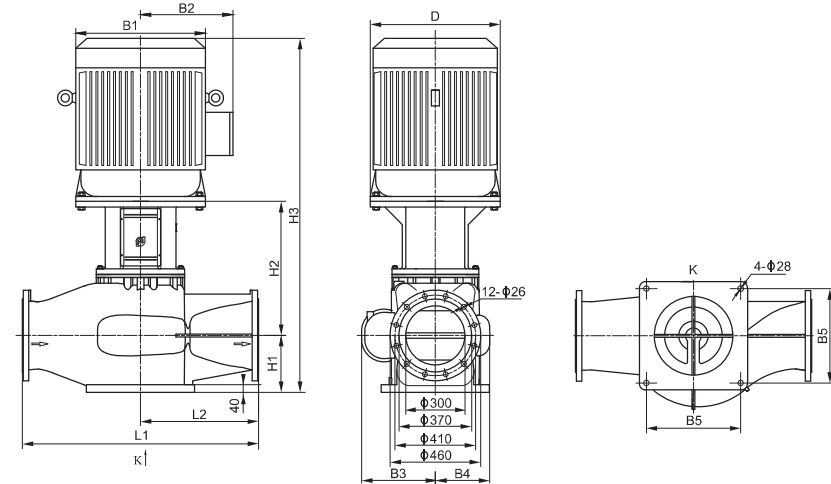


## TD300 Performance table

50Hz

Model	Motor (kW)	Q (m³/h)	270	360	450	630	750	900	1080	1200
TD300-15/4	55	H (m)	22.7	22.3	21.6	19.5	17.8	15	11.6	8.5
TD300-20/4	75		26.4	26	25.5	24.1	22.4	20	17.1	14.5
TD300-25/4	90		30.8	30.4	29.8	28.2	27.1	25	22.5	20
TD300-30/4	110		34.5	34	33.5	32.4	31.6	30	27.5	25
TD300-35/4	132		38.6	38.1	37.8	36.9	36	35	32.6	29.6
TD300-44/4	160		49.5	49.2	48.8	47.6	46.3	44	40.5	37.5
TD300-55/4	200		58.2	57.9	57.6	56.7	56.1	55	52.5	49.2

## Installation sketch

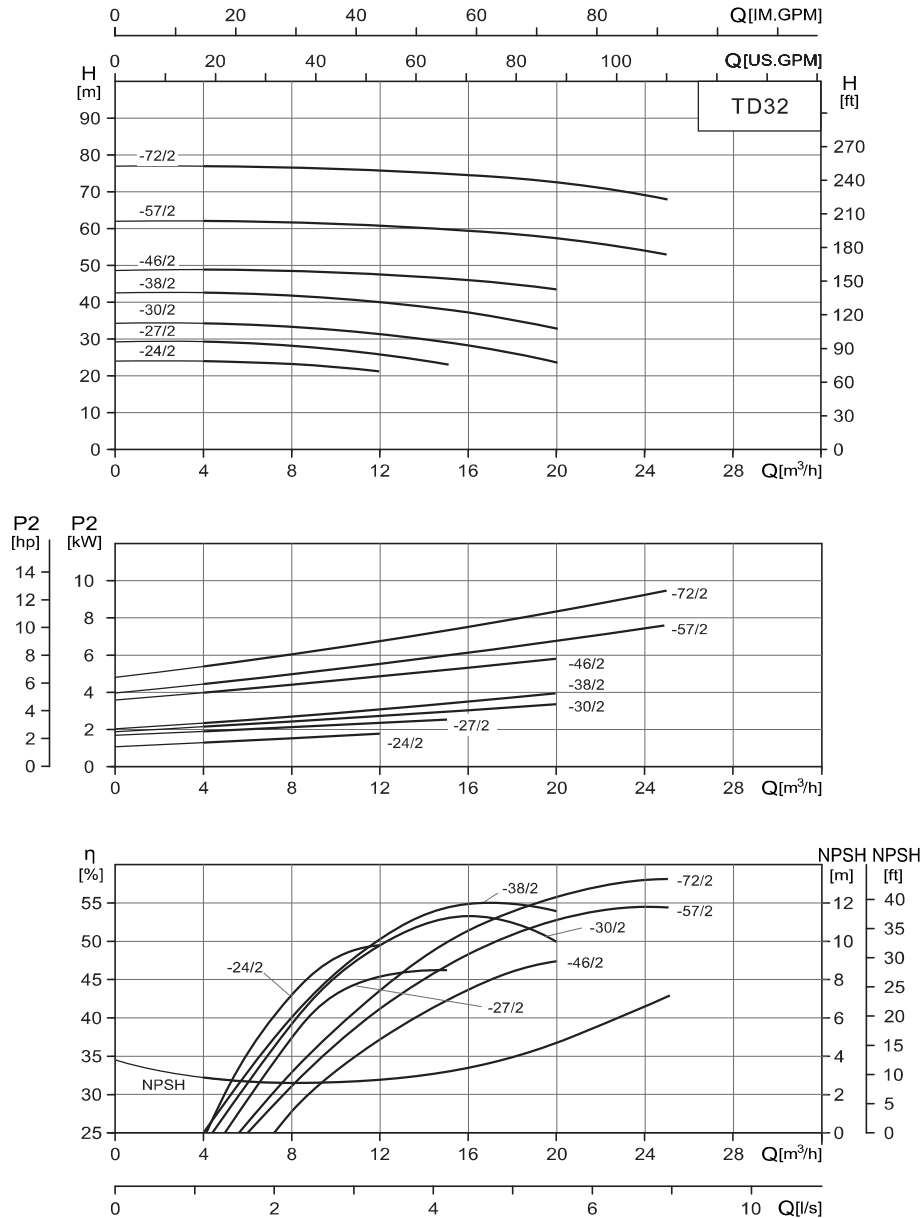


## Dimensions and weights

Model	Dimension (mm)											Weight (kg)
	D	B1	B2	B3	B4	B5	H1	H2	H3	L1	L2	
TD300-15/4	550	484	367	345	250	440	290	649	1720	1200	600	907
TD300-20/4	550	547	407	345	250	440	290	649	1770	1200	600	1075
TD300-25/4	550	547	407	380	280	480	290	659	1850	1200	600	1230
TD300-30/4	660	645	535	380	280	480	290	699	2000	1200	600	1570
TD300-35/4	660	645	535	380	280	480	290	699	2150	1200	600	1650
TD300-44/4	660	645	535	380	295	480	290	702	2150	1200	600	1790
TD300-55/4	660	645	535	380	295	480	290	702	2150	1200	600	1905

Note: The dimension of single-phase motor and explosion-proof motor will change. Please consult our company for more details.

## Performance curve

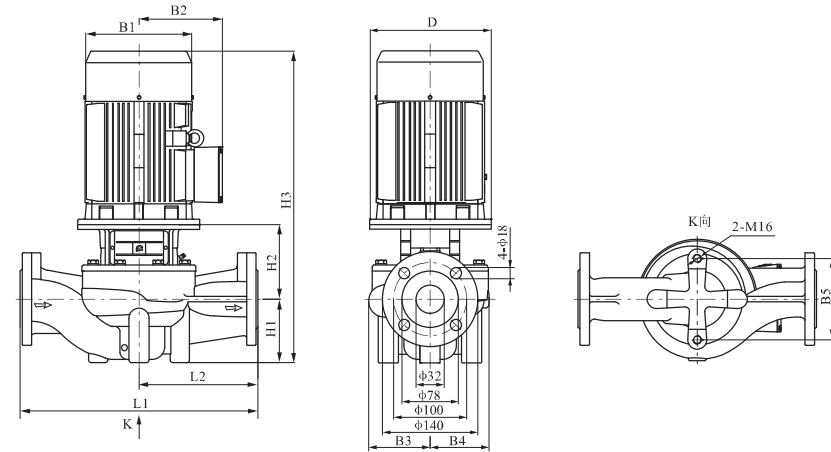


## TD32 Performance table

60Hz

Model	Motor		Q (m³/h)	4	7	8	10	12	15	20	25
	(kW)	(hp)									
TD32-24/2	1.5	2	H	24.5	24	23		21			
TD32-27/2	2.2	3		29		28	27	26	23		
TD32-30/2	3	4		35		34		32	30	23	
TD32-38/2	4	5.5		43		42		40	38	33	
TD32-46/2	5.5	7.5		49		49		48	46	44	
TD32-57/2	7.5	10		62		62		61	59	57	53
TD32-72/2	11	15		77		77		76	75	72	67

## Installation sketch

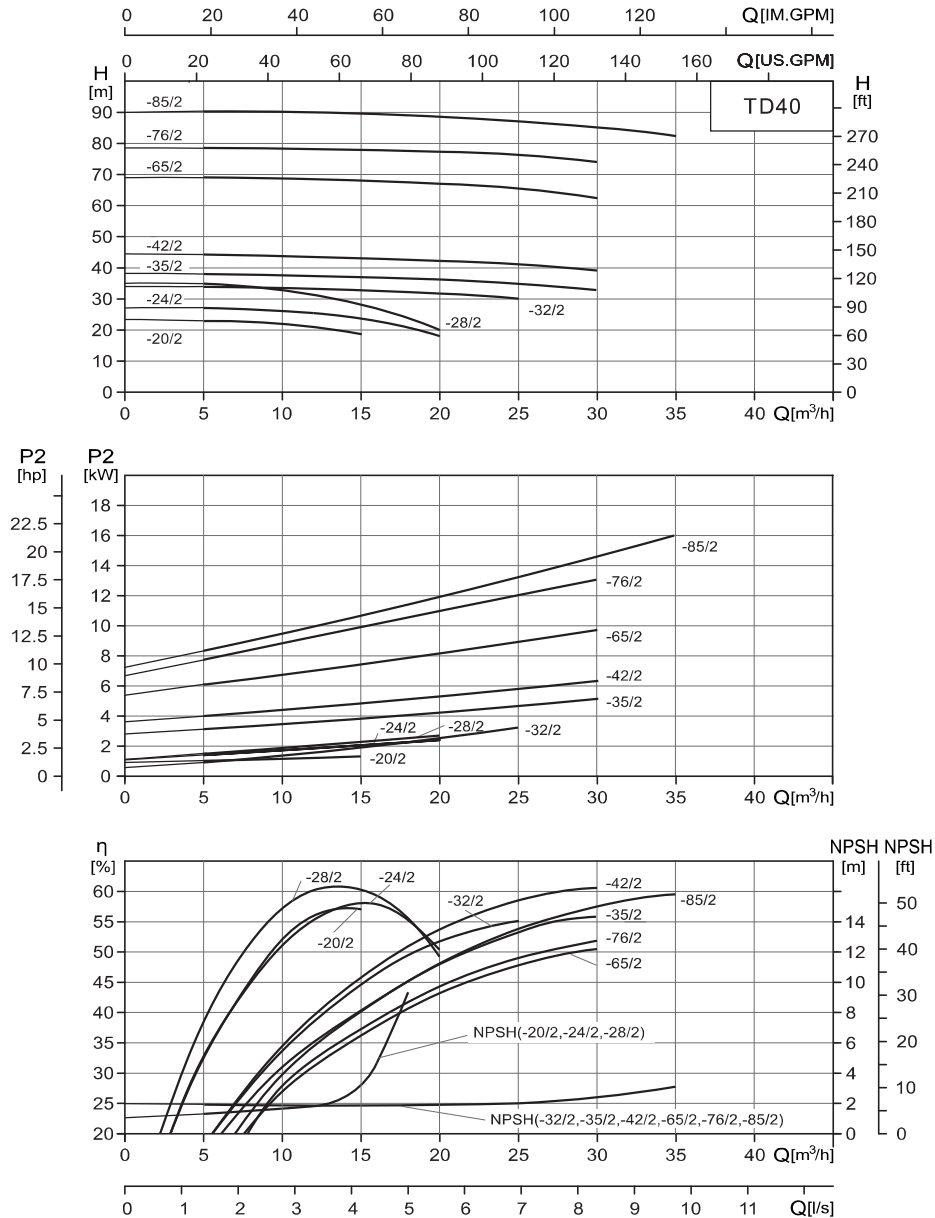


## Dimensions and weights

Model	Dimension(mm)											Weight (kg)
	D	B1	B2	B3	B4	B5	H1	H2	H3	L1	L2	
TD32-24/2	140	190	155	115	115	144	100	166	556	340	170	56
TD32-27/2	140	190	155	115	115	144	100	166	556	340	170	59
TD32-30/2	160	197	165	115	115	144	100	185	630	340	170	68
TD32-38/2	160	230	188	129	129	144	100	185	640	440	220	79
TD32-46/2	200	260	208	129	129	144	100	213	703	440	220	104
TD32-57/2	200	260	208	129	129	144	100	213	703	440	220	107
TD32-72/2	350	330	255	129	129	144	100	262	862	440	220	167

Note: The dimension of single-phase motor and explosion-proof motor will change. Please consult our company for more details.

## Performance curve

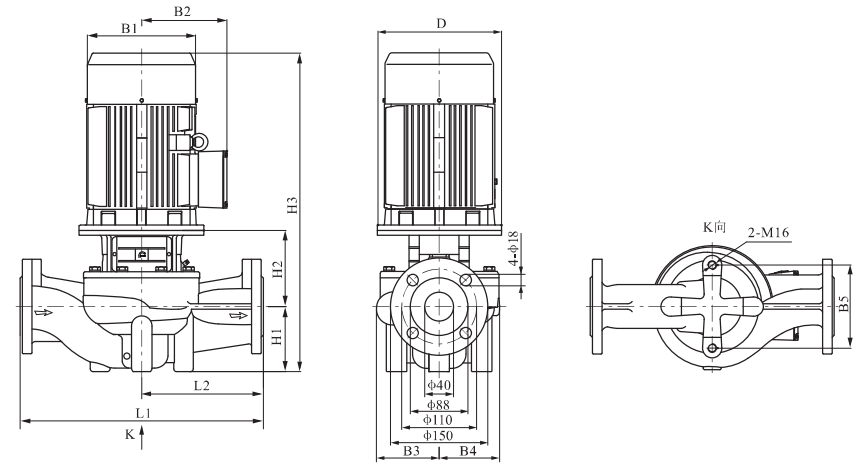


## TD40 Performance table

60Hz

Model	Motor		Q (m³/h)	5	10	12	15	20	25	30	35
	(kW)	(hp)									
TD40-20/2	1.5	2	H (m)	23	22	20	18				
TD40-24/2	2.2	3		27	26		24	18			
TD40-28/2	3	4		35	33		28	20			
TD40-32/2	4	5.5		34	34		33	32	30		
TD40-35/2	5.5	7.5		38	38		37	36	35	33	
TD40-42/2	7.5	10		45	45		44	43	42	40	
TD40-65/2	11	15		69	69		68	67	65	63	
TD40-76/2	15	20		79	79		78	77	76	73	
TD40-85/2	18.5	25		91	91		90	89	87	85	82

## Installation sketch



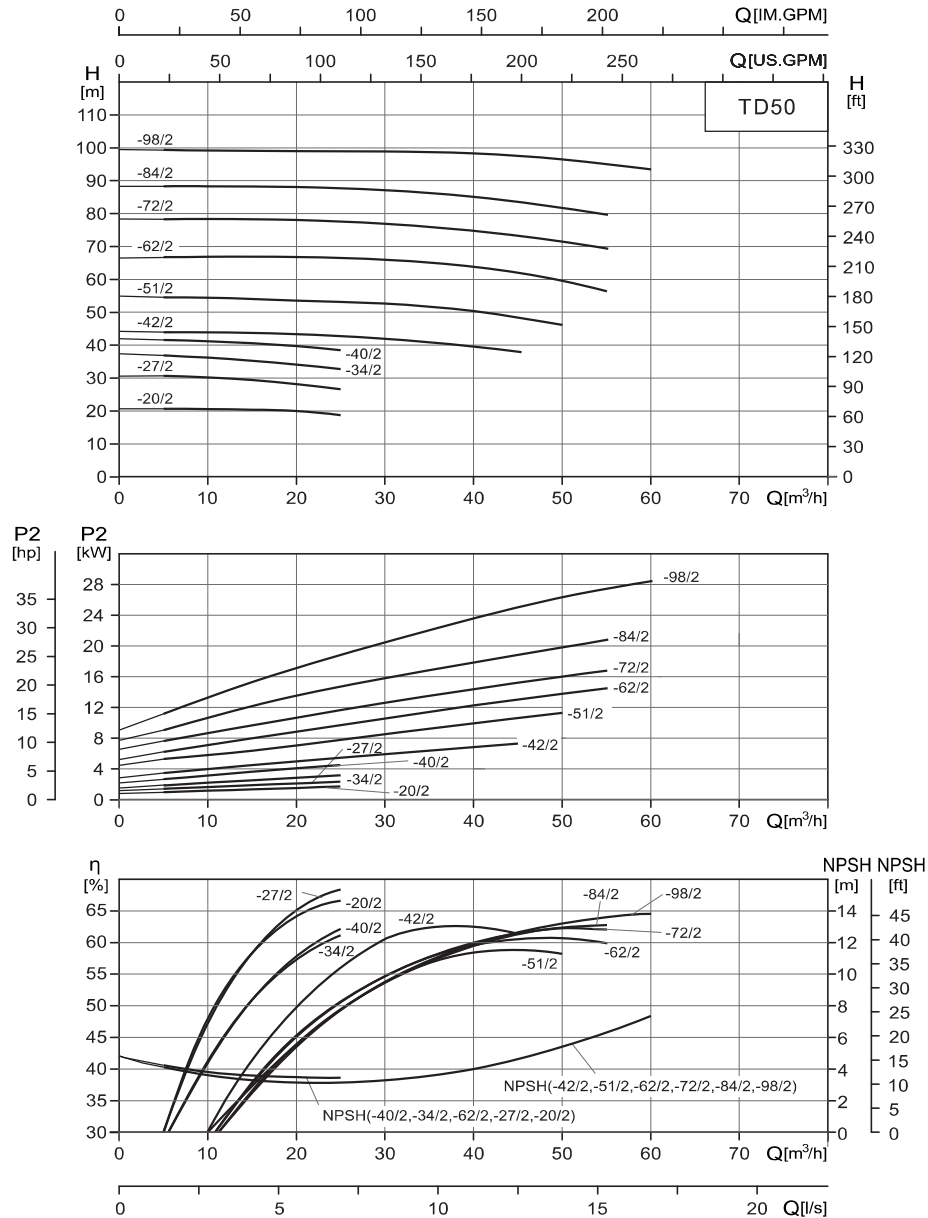
## Dimensions and weights

Model	Dimension(mm)											Weight (kg)
	D	B1	B2	B3	B4	B5	H1	H2	H3	L1	L2	
TD40-20/2	140	190	155	97	95	120	68	160	518	320	160	46
TD40-24/2	140	190	155	97	95	120	68	160	518	320	160	53
TD40-28/2	160	197	165	97	95	120	68	178	591	320	160	70
TD40-32/2	160	230	188	138	128	144	100	185	650	440	220	77
TD40-35/2	200	260	208	138	128	144	100	213	713	440	220	106
TD40-42/2	200	260	208	138	128	144	100	213	713	440	220	110
TD40-65/2	350	330	255	138	128	144	100	262	872	440	220	167
TD40-76/2	350	330	255	140	138	144	100	262	872	440	220	178
TD40-85/2	350	330	255	140	138	144	100	262	922	440	220	196

Note: The dimension of single-phase motor and explosion-proof motor will change. Please consult our company for more details.



## Performance curve

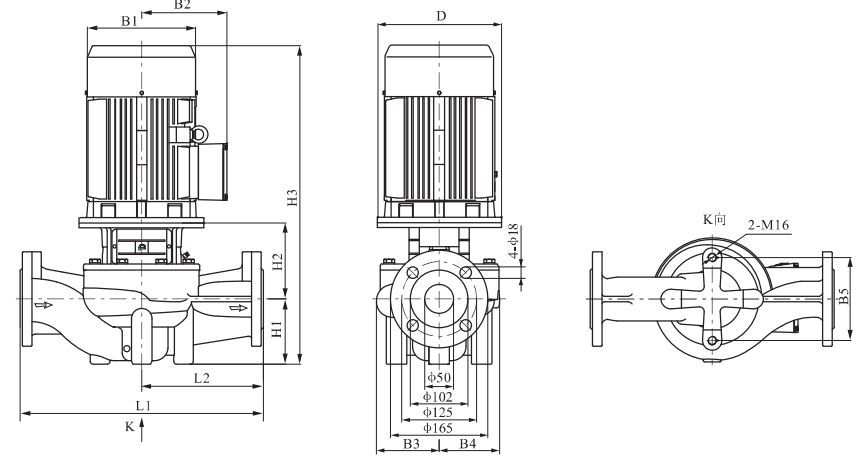


## TD50 Performance table

60Hz

Model	Motor		Q (m³/h)	H (m)													
	(kW)	(hp)		5	10	15	20	25	30	35	40	45	50	55	55		
TD50-20/2	2.2	3	21	20.5	20.3	20	18.5										
TD50-27/2	3	4	31	30	28.8	27	26										
TD50-34/2	4	5.5	37	36.2	35.3	34	32.7										
TD50-40/2	5.5	7.5	41.5	41.2	41	40	39										
TD50-42/2	7.5	10	45.5	44	43	42	40	39									
TD50-51/2	11	15	54	53.5	52.5	52	51	50	47								
TD50-62/2	15	20	66.5	66.6	66	65	63	62	59	56							
TD50-72/2	18.5	25	77	77	77.2	76	73	72	71	69							
TD50-84/2	22	30	88	88	88	87	85	84	83	82							
TD50-98/2	30	40	99.1	99.4	99.6	99	98.5	98	98	93							

## Installation sketch

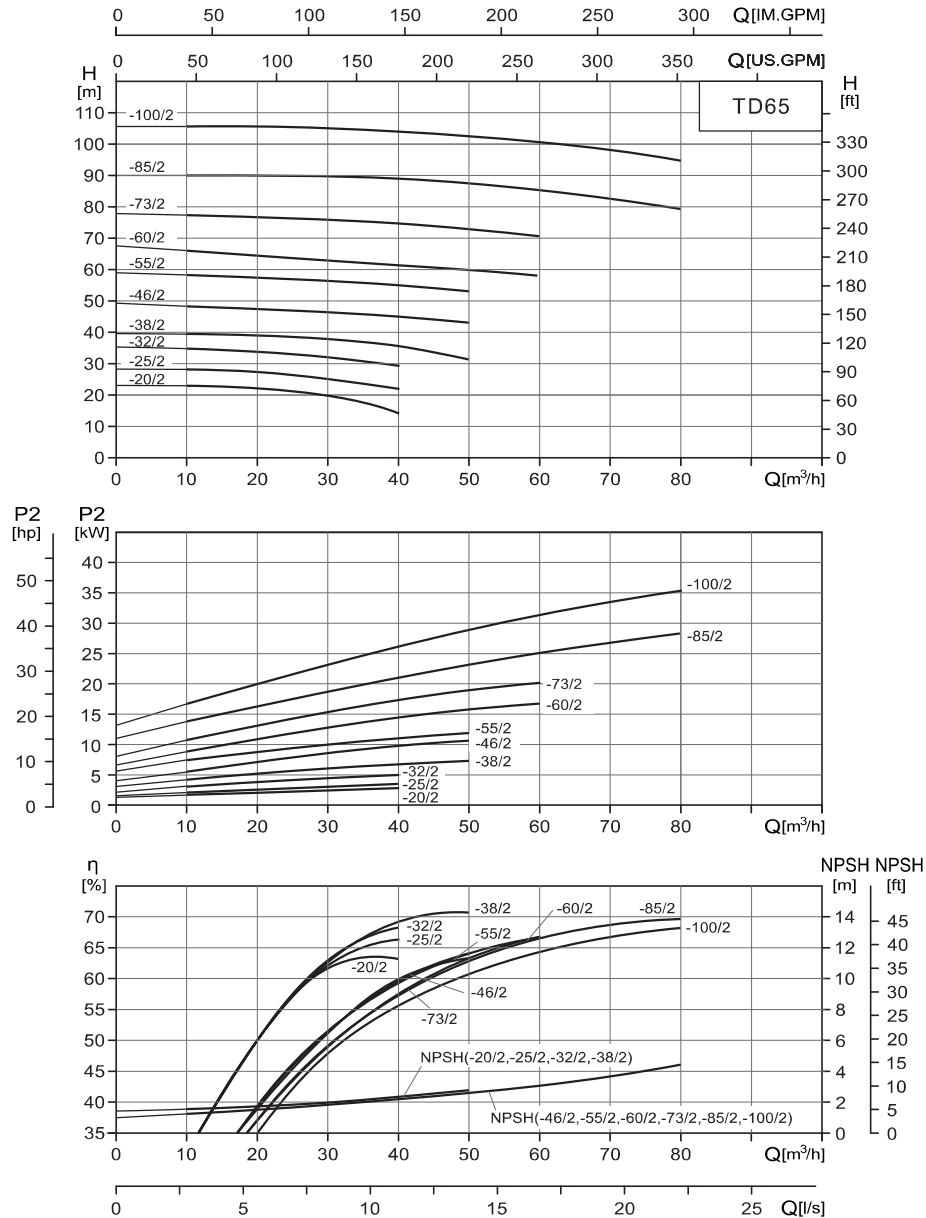


## Dimensions and weights

Model	Dimension(mm)											Weight (kg)
	D	B1	B2	B3	B4	B5	H1	H2	H3	L1	L2	
TD50-20/2	140	190	155	117	115	144	115	153	558	340	170	65
TD50-27/2	160	197	165	117	115	144	115	172	632	340	170	74
TD50-34/2	160	230	188	129	115	144	115	172	642	340	170	79
TD50-40/2	200	260	208	129	115	144	115	197	702	340	170	103
TD50-42/2	200	260	208	171	158	144	115	197	702	440	220	118
TD50-51/2	350	330	255	171	158	144	115	250	865	440	220	181
TD50-62/2	350	330	255	171	158	144	115	250	865	440	220	191
TD50-72/2	350	330	255	171	158	144	115	250	915	440	220	209
TD50-84/2	350	360	285	171	158	144	115	250	940	440	220	245
TD50-98/2	400	400	310	171	158	144	115	250	1015	440	220	296

Note: The dimension of single-phase motor and explosion-proof motor will change. Please consult our company for more details.

## Performance curve

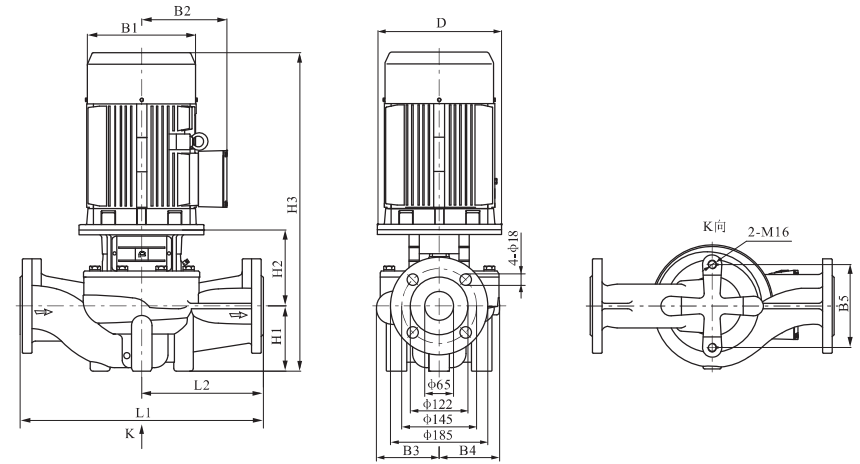


## TD65 Performance table

60Hz

Model	Motor		Q (m³/h)	10	20	30	35	40	50	60	70	80
	(kW)	(hp)										
TD65-20/2	3	4	H (m)	22.2	22	20	18	14.3				
TD65-25/2	4	5.5		28	27	25	24	21				
TD65-32/2	5.5	7.5		35	33.5	32	31	29.5				
TD65-38/2	7.5	10		39.5	38.7	38.5	38	36	31.5			
TD65-46/2	11	15		48	47	46.5	46	45	44			
TD65-55/2	15	20		57.3	56.5	56.2	55	54	52			
TD65-60/2	18.5	25		64	63.8	62	61.8	60.5	60	56		
TD65-73/2	22	30		78	77	76.5	76	75.5	73	71		
TD65-85/2	30	40		87.8	88	90	90.5	89.5	88.5	85	83	79
TD65-100/2	37	50		107.6	106	105	104	103	102	100	99.5	94

## Installation sketch

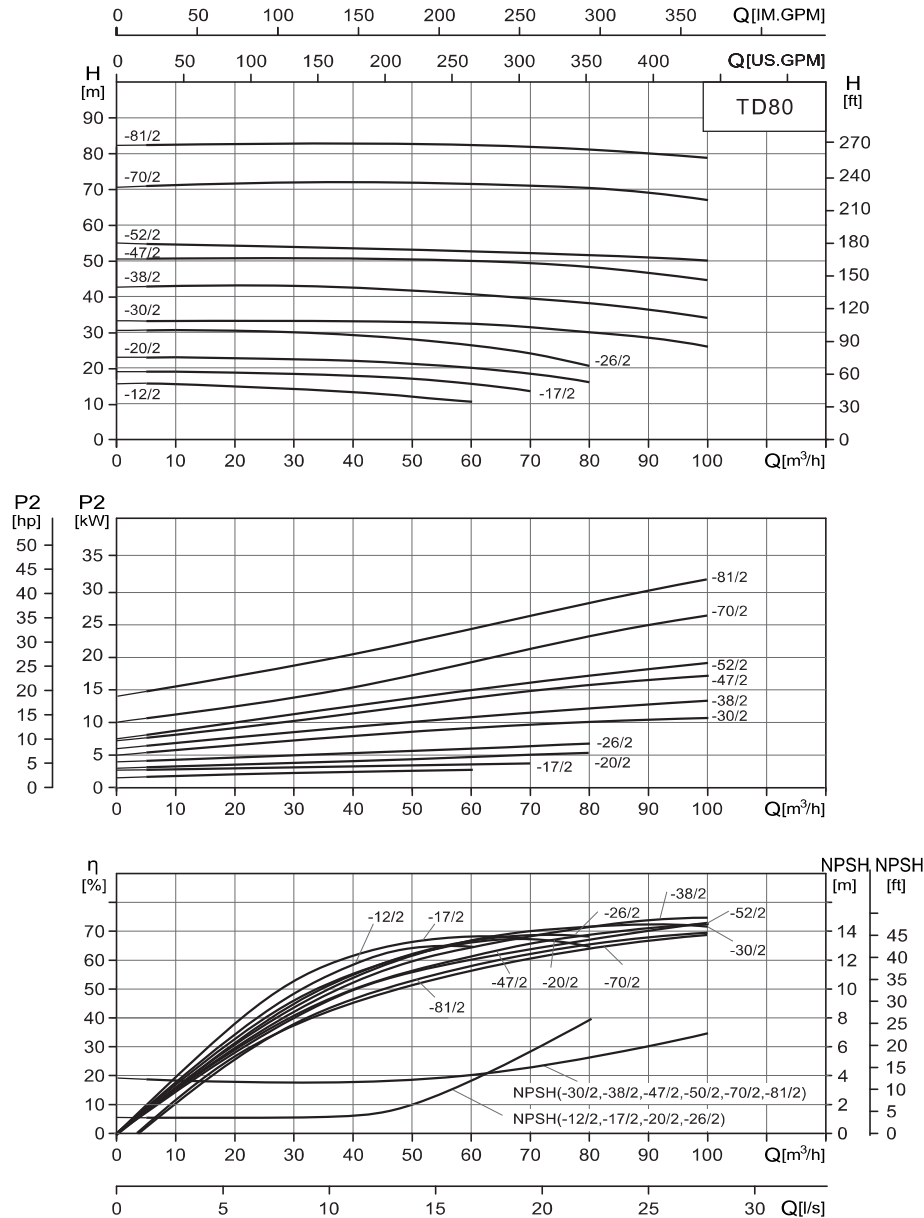


## Dimensions and weights

Model	Dimension(mm)											Weight (kg)
	D	B1	B2	B3	B4	B5	H1	H2	H3	L1	L2	
TD65-20/2	160	197	165	142	124	144	105	191	641	360	180	74
TD65-25/2	160	230	188	142	124	144	105	191	651	360	180	81
TD65-32/2	200	260	208	142	124	144	105	213	708	360	180	105
TD65-38/2	200	260	208	142	124	144	105	213	708	360	180	108
TD65-46/2	350	330	255	179	167	144	125	262	887	475	238	183
TD65-55/2	350	330	255	179	167	144	125	262	887	475	238	193
TD65-60/2	350	330	255	179	167	144	125	262	937	475	238	210
TD65-73/2	350	330	255	179	167	144	125	262	962	475	238	248
TD65-85/2	400	400	310	179	167	144	125	262	1037	475	238	309
TD65-100/2	400	400	310	179	167	144	125	262	1037	475	238	328

Note: The dimension of single-phase motor and explosion-proof motor will change. Please consult our company for more details.

## Performance curve

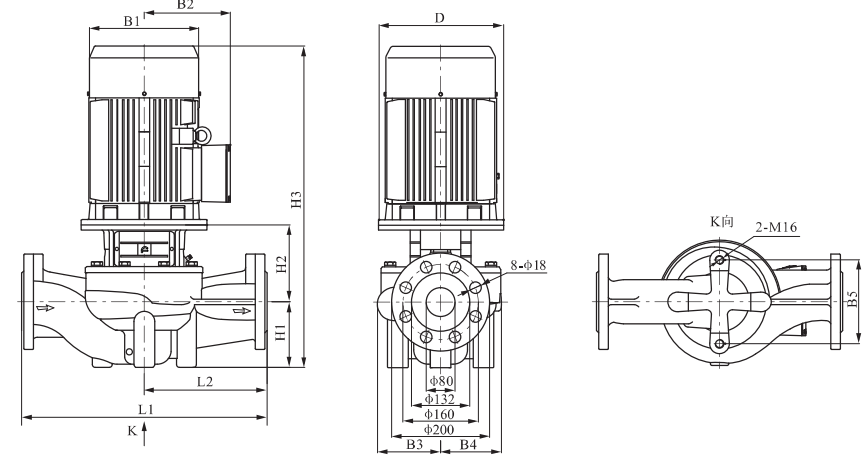


## TD80 Performance table

60Hz

Model	Motor		Q (m³/h)	5	10	20	30	40	50	60	70	80	90	100	
	(kW)	(hp)													
TD80-12/2	3	4	H (m)	15.2	15.6	15	14.5	13.5	12	10.5					
TD80-17/2	4	5.5		18.5	19	18.6	18.1	17.5	17	15.8	13.5				
TD80-20/2	5.5	7.5		22.5	23	23.6	22.8	22	21.2	20	19	16			
TD80-26/2	7.5	10		30.3	30.6	30.4	30	29	28	26	25	21			
TD80-30/2	11	15		36.8	36.8	36.7	35.8	35.3	34.2	33.1	32.4	30	27.8	23.5	
TD80-38/2	15	20		42.9	43	43.1	43	42.6	42	40.5	39.5	38	36.2	32.3	
TD80-47/2	18.5	25		51.3	51.5	50.9	50.5	50.3	50.2	50	49.4	47	46.5	44.6	
TD80-52/2	22	30		54.7	55.5	55.2	55	54.8	54.5	54.3	53.4	52	50.5	50	
TD80-70/2	30	40		70.9		71.4		72	71.9	71.6	71	70	69.3	65	
TD80-81/2	37	50		81.9		82.8		82.9		82.5	82.4	81	80	78	

## Installation sketch

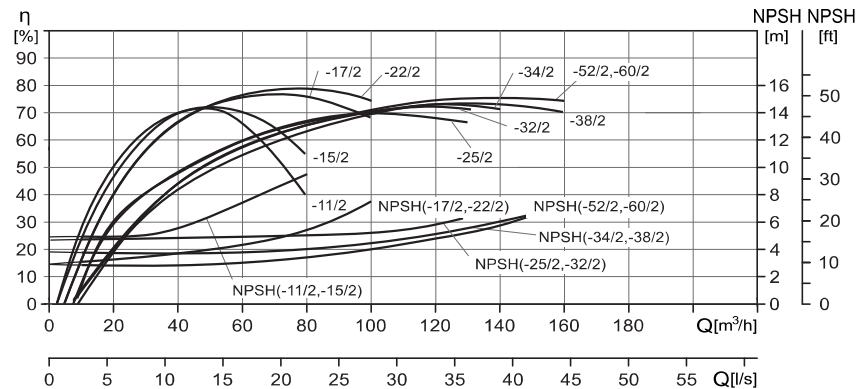
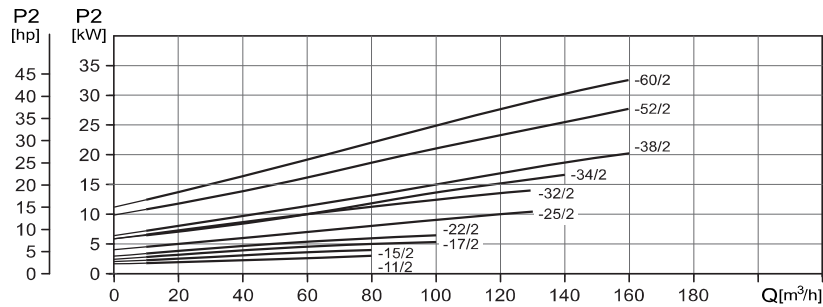
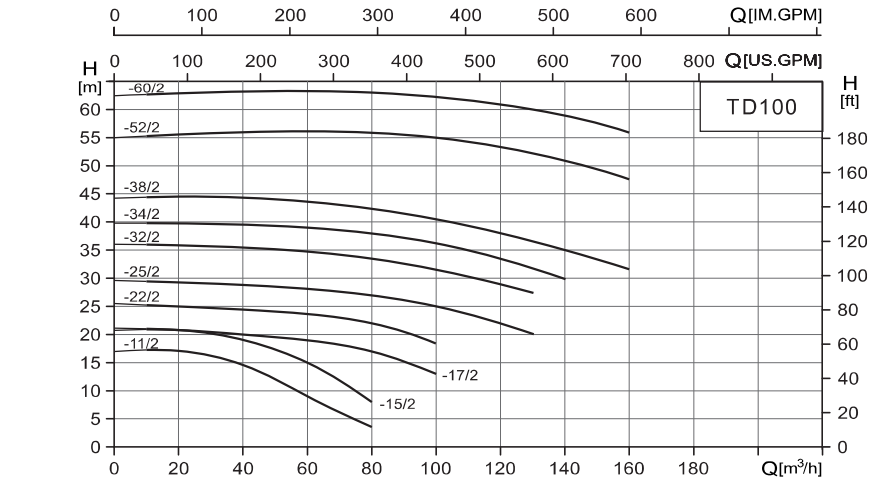


## Dimensions and weights

Model	Dimension(mm)											Weight (kg)
	D	B1	B2	B3	B4	B5	H1	H2	H3	L1	L2	
TD80-12/2	160	197	165	142	124	160	97	219	661	450	225	84
TD80-17/2	160	230	188	142	124	160	97	219	671	450	225	91
TD80-20/2	160	260	210	142	124	160	97	241	728	450	225	114
TD80-26/2	160	260	210	142	124	160	97	241	728	450	225	117
TD80-30/2	350	330	255	182	163	144	115	279	894	500	250	194
TD80-38/2	350	330	255	182	163	144	115	279	894	500	250	204
TD80-47/2	350	330	255	182	163	144	115	279	944	500	250	222
TD80-52/2	350	330	255	182	163	144	115	279	969	500	250	258
TD80-70/2	400	400	310	182	163	144	115	279	1044	500	250	319
TD80-81/2	400	400	310	182	163	144	115	279	1044	500	250	338

Note: The dimension of single-phase motor and explosion-proof motor will change. Please consult our company for more details.

## Performance curve

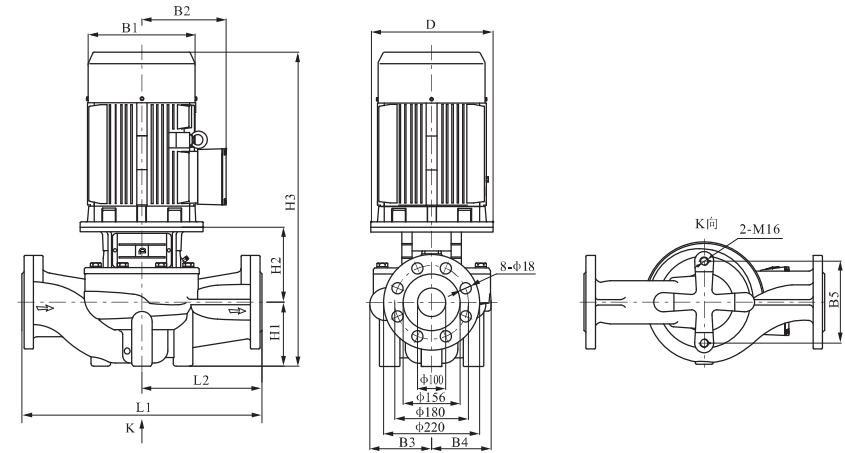


## TD100 Performance table

60Hz

Model	Motor		Q (m³/h)	10	20	40	50	60	80	100	120	130	140	160	
	(kw)	(hp)													
TD100-11/2	3	4	H (m)	17.2	17.1	14.6	11	9	6.3						
TD100-15/2	4	5.5		20.7	20.8	17.9		15	8						
TD100-17/2	5.5	7.5		21.1	20.8	20		19.2	17	13					
TD100-22/2	7.5	10		25.6	25.4	24.4		23.5	22	18.4					
TD100-25/2	11	15		29.1	29.5	28.8		27.8	26.6	25	19.8	19.4			
TD100-32/2	15	20		36	36.6	35.6		34.6	33.5	32	28.9	25.5			
TD100-34/2	18.5	25		39.4	39.4	39.5		39	37.8	36.2	34	33.4	31		
TD100-38/2	22	30		43.7	44.5	44.2		43.8	42.5	40.5	38	36.4	35	30.8	
TD100-52/2	30	40		55	55.8	55.9		55.9	55.5	55	53.6	52	50.9	47.6	
TD100-60/2	37	50		62	62.9	63.3		63.2	63	62	60.6	60	57.6	54	

## Installation sketch

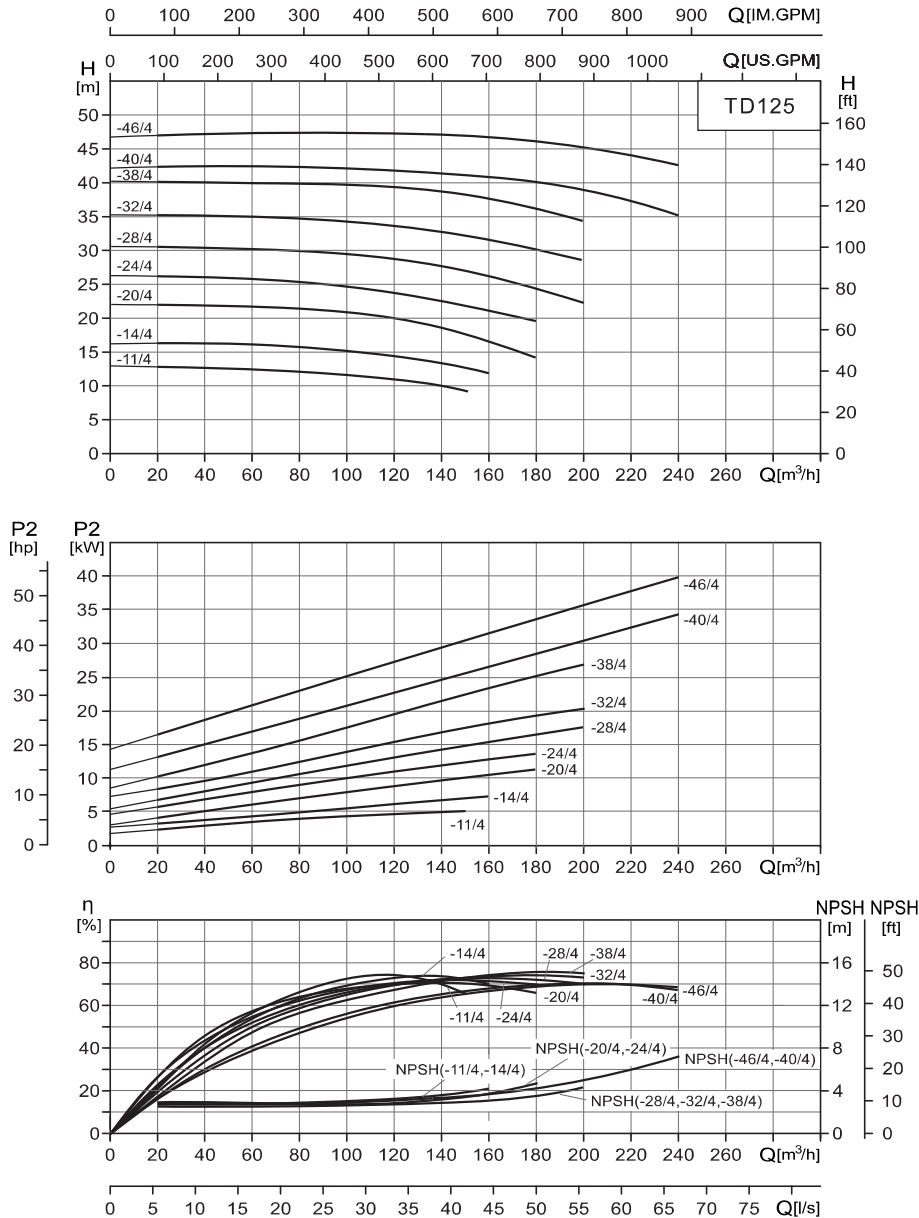


## Dimensions and weights

Model	Dimension(mm)											Weight (kg)
	D	B1	B2	B3	B4	B5	H1	H2	H3	L1	L2	
TD100-11/2	160	215	190	134	101	160	105	190	640	450	225	65
TD100-15/2	160	215	190	134	101	160	105	190	650	450	225	83
TD100-17/2	200	260	205	150	117	144	140	215	745	500	250	119
TD100-22/2	200	260	205	150	117	144	140	215	745	500	250	122
TD100-25/2	350	350	245	181	152	230	140	270	910	550	275	197
TD100-32/2	350	350	265	181	152	230	140	270	910	550	275	207
TD100-34/2	350	350	265	181	152	230	140	270	960	550	275	224
TD100-38/2	350	350	280	181	152	230	140	270	985	550	275	260
TD100-52/2	400	400	305	181	152	230	140	270	1060	550	275	318
TD100-60/2	400	400	305	181	152	230	140	270	1060	550	275	337

Note: The dimension of single-phase motor and explosion-proof motor will change. Please consult our company for more details.

## Performance curve

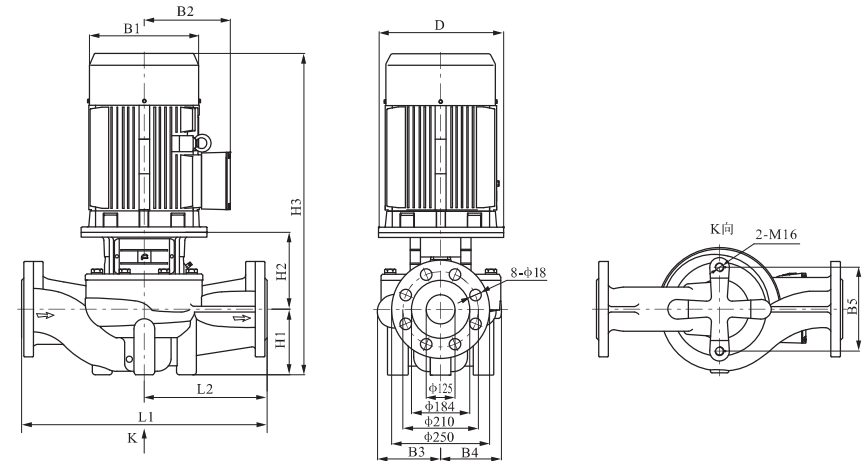


## TD125 Performance table

60Hz

Model	Motor		Q (m³/h)	H (m)													
	(kW)	(hp)		20	40	60	80	100	120	140	150	160	180	200	220	240	
TD125-11/4	5.5	7.5	12.9	12.7	12.6	12.2	11.6	11	10	9							
TD125-14/4	7.5	10	16.2	16.1	16	15.9	15.3	14	13.8			12.5					
TD125-20/4	11	15	21.8	21.4	21.2	21	20.6	20	18			16.4	14.5				
TD125-24/4	15	20	26.2	25.9	25.7	25.5	24.8	24	22.9			21.2	19.8				
TD125-28/4	18.5	25	30.4	30.2	30.1	29.9	29.4	28.6	28			26.6	24.5	22.5			
TD125-32/4	22	30	35.2	34.9	34.8	34.5	34.2	33.5	32.7	32		31.3	30.1	27.8			
TD125-38/4	30	40	40.2	40.1	40	39.9	39.8	39.5	38.6	38		37.8	36.2	33.8			
TD125-40/4	37	50	42.6	42.8	42.9	42.7	42.4	41.9	41.3			40.7	40	38.9	37.4	35.6	
TD125-46/4	45	60	47.2	47.4	47.6	47.7	47.6	47.5	47.2			46.7	46	45.1	44.1	42.8	

## Installation sketch

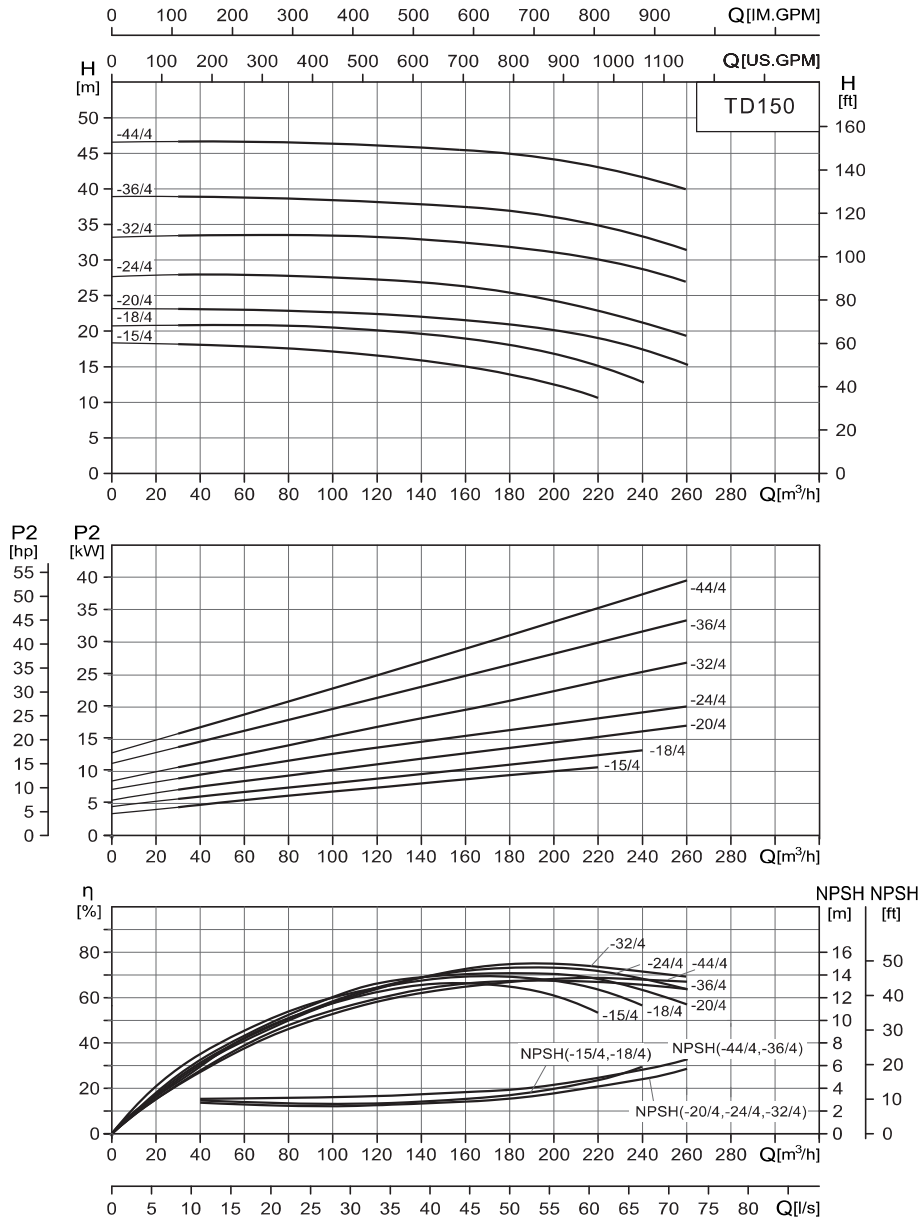


## Dimensions and weights

Model	Dimension(mm)											Weight (kg)
	D	B1	B2	B3	B4	B5	H1	H2	H3	L1	L2	
TD125-11/4	200	260	208	216	176	230	215	228	832	620	310	166
TD125-14/4	200	260	208	216	176	230	215	228	832	620	310	169
TD125-20/4	350	330	255	236	208	230	215	298	1011	800	400	292
TD125-24/4	350	330	255	236	208	230	215	298	1053	800	400	302
TD125-28/4	350	330	255	236	208	230	215	298	1090	800	400	321
TD125-32/4	350	330	255	236	208	230	215	298	1128	800	400	356
TD125-38/4	400	400	310	236	208	230	215	298	1162	800	400	416
TD125-40/4	450	450	325	272	248	230	215	314	1203	800	400	499
TD125-46/4	450	450	325	272	248	230	215	314	1226	800	400	536

Note: The dimension of single-phase motor and explosion-proof motor will change. Please consult our company for more details.

## Performance curve

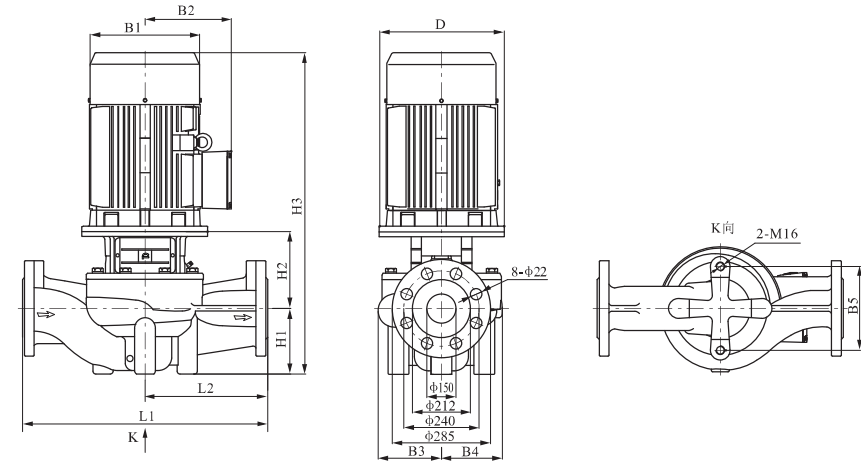


## TD150 Performance table

60Hz

Model	Motor		Q (m³/h)	30	60	90	120	140	160	180	200	220	240	260	
	(kW)	(hp)													
TD150-15/4	11	15	H (m)	19.1	18.4	17.6	16.7	15.9	15	14.1	12.7	10.5			
TD150-18/4	15	20		21.6	21.3	20.8	20.1	19.5	18.8	18	16.9	15.4	12.6		
TD150-20/4	18.5	25		24	23.6	23.3	22.9	22.4	21.7	20.9	20	18.9	17.4	15.6	
TD150-24/4	22	30		27	27.2	27.1	26.8	26.3	25.8	24.9	24	22.8	21.5	19.9	
TD150-32/4	30	40		34.2	34.4	34.6	34.4	34	33.5	32.8	32	30.9	29.4	27.3	
TD150-36/4	37	50		39.7	39.3	38.8	38.2	37.8	37.3	36.7	36	34.9	33.6	31.9	
TD150-44/4	45	60		47.3	47.4	47.2	46.8	46.4	45.8	45	44	42.9	41.7	40.2	

## Installation sketch



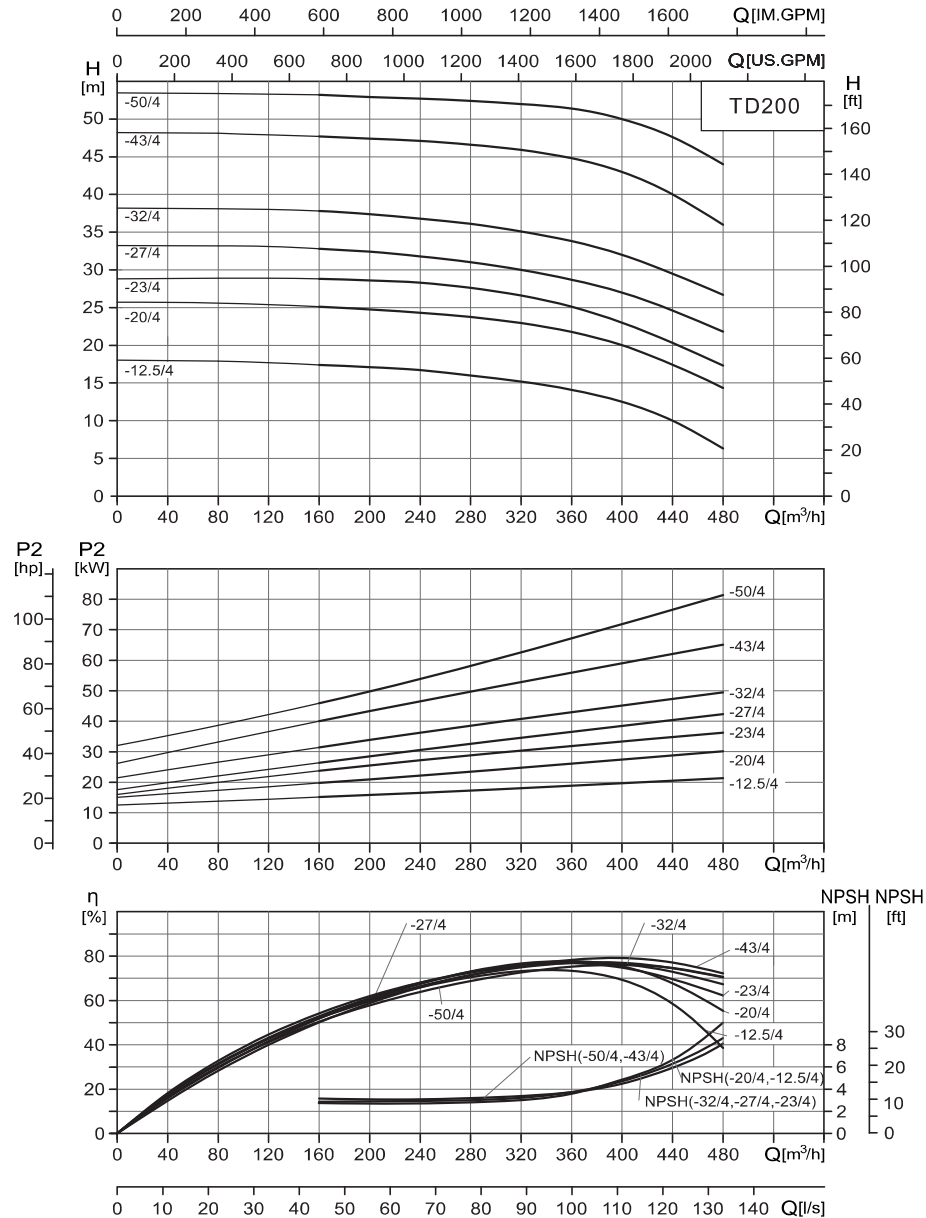
## Dimensions and weights

Model	Dimension(mm)											Weight (kg)
	D	B1	B2	B3	B4	B5	H1	H2	H3	L1	L2	
TD150-15/4	350	315	250	238	208	230	215	269	982	800	400	280
TD150-18/4	350	315	250	238	208	230	215	269	1024	800	400	300
TD150-20/4	350	360	275	238	208	230	215	269	1061	800	400	336
TD150-24/4	350	360	275	238	208	230	215	269	1099	800	400	352
TD150-32/4	400	400	305	238	208	230	215	269	1133	800	400	403
TD150-36/4	450	450	325	267	248	230	230	288	1192	900	450	508
TD150-44/4	450	450	325	267	248	230	230	288	1215	900	450	545

Note: The dimension of single-phase motor and explosion-proof motor will change. Please consult our company for more details.



## Performance curve

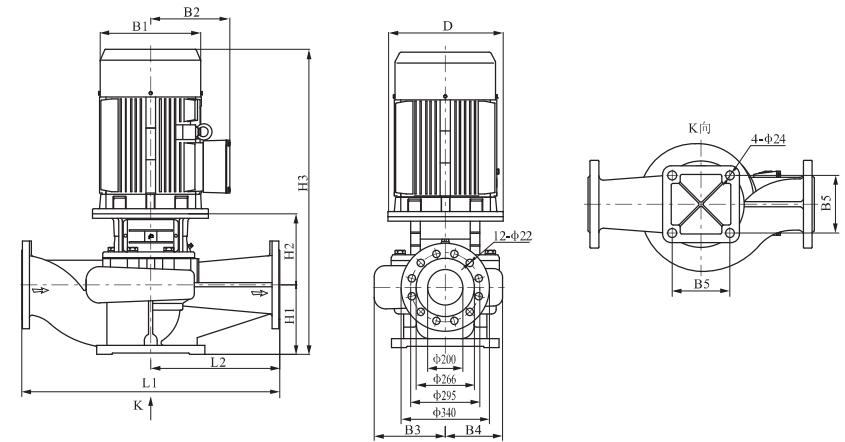


## TD200 Performance table

60Hz

Model	Motor		Q (m³/h)	160	200	240	280	320	360	400	440	480
	(kW)	(hp)										
TD200-12.5/4	22	30	H (m)	17.4	17.1	16.7	16	15.2	14.1	12.5	10	6.3
TD200-20/4	30	40		25.1	24.8	24.3	23.8	23	21.8	20	17.5	14.9
TD200-23/4	37	50		28.8	28.6	28.3	27.6	26.6	25.1	23	20.3	17.3
TD200-27/4	45	60		32.8	32.4	31.8	31	30	28.7	27	24.6	21.8
TD200-32/4	55	75		37.8	37.4	36.8	36.1	35.1	33.8	32	29.5	26.7
TD200-43/4	75	100		47.7	47.4	47.1	46.6	45.9	44.8	43	40	36
TD200-50/4	90	120		53.2	52.9	52.7	52.4	52	51.4	50	47.6	44

## Installation sketch



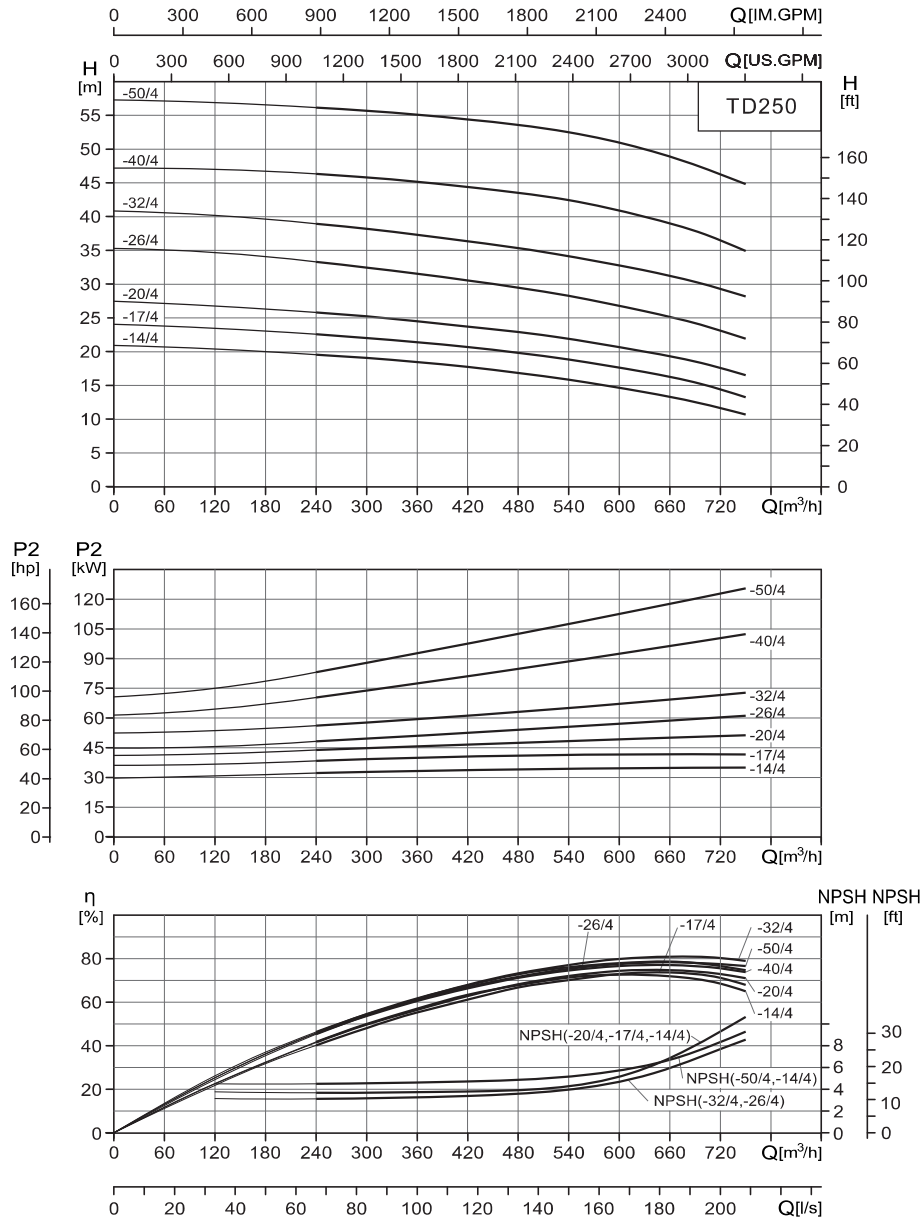
## Dimensions and weights

Model	Dimension (mm)											Weight (kg)
	D	B1	B2	B3	B4	B5	H1	H2	H3	L1	L2	
TD200-12.5/4	350	360	280	278	219	360	270	415	1300	1000	500	431
TD200-20/4	400	400	305	278	219	360	270	415	1334	1000	500	490
TD200-23/4	450	450	335	303	252	360	270	445	1389	1100	550	600
TD200-27/4	450	450	335	303	252	360	270	445	1412	1100	550	636
TD200-32/4	550	490	365	303	252	360	270	445	1488	1100	550	707
TD200-43/4	550	550	400	315	269	360	270	457	1556	1100	550	880
TD200-50/4	550	550	400	315	269	360	270	457	1607	1100	550	971

Note: The dimension of single-phase motor and explosion-proof motor will change. Please consult our company for more details.



## Performance curve

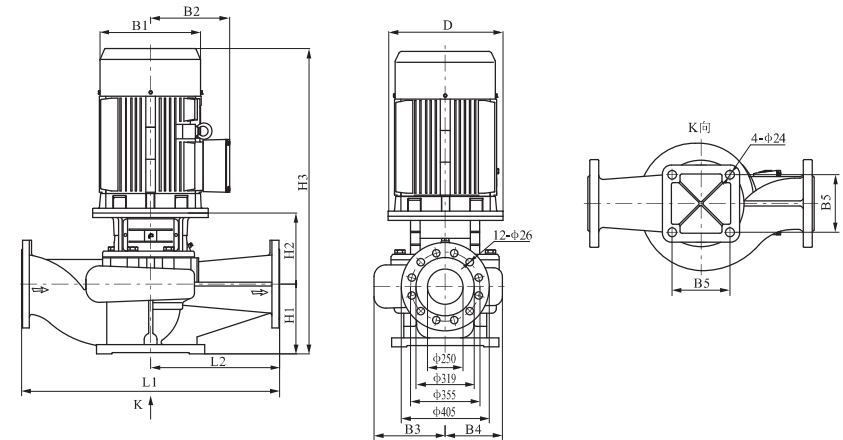


## TD250 Performance table

60Hz

Model	Motor		Q (m³/h)	H (m)											
	(kW)	(hp)		240	300	360	420	480	540	600	630	660	720	750	
TD250-14/4	37	50		19.6	19.1	18.4	17.7	16.8	15.9	13.3	14	13.3	11.6	10.7	
TD250-17/4	45	60		22.5	22.1	21.4	20.7	19.9	18.9	16.3	17	16.3	14.4	13.2	
TD250-20/4	55	75		25.8	25.2	24.5	23.7	22.9	21.9	19.3	20	19.3	17.6	16.5	
TD250-26/4	75	100		33.3	32.5	31.5	30.6	29.5	28.2	25.2	26	25.2	23.1	21.9	
TD250-32/4	90	120		38.9	38.2	37.3	36.3	35.3	34.2	31.2	32	31.2	29.3	28.2	
TD250-40/4	110	150		46.4	45.8	45.2	44.4	43.6	42.4	39	40	39	36.5	34.9	
TD250-50/4	132	180		56.1	55.7	55.1	54.4	53.6	52.5	48.9	50	48.9	46.3	44.8	

## Installation sketch

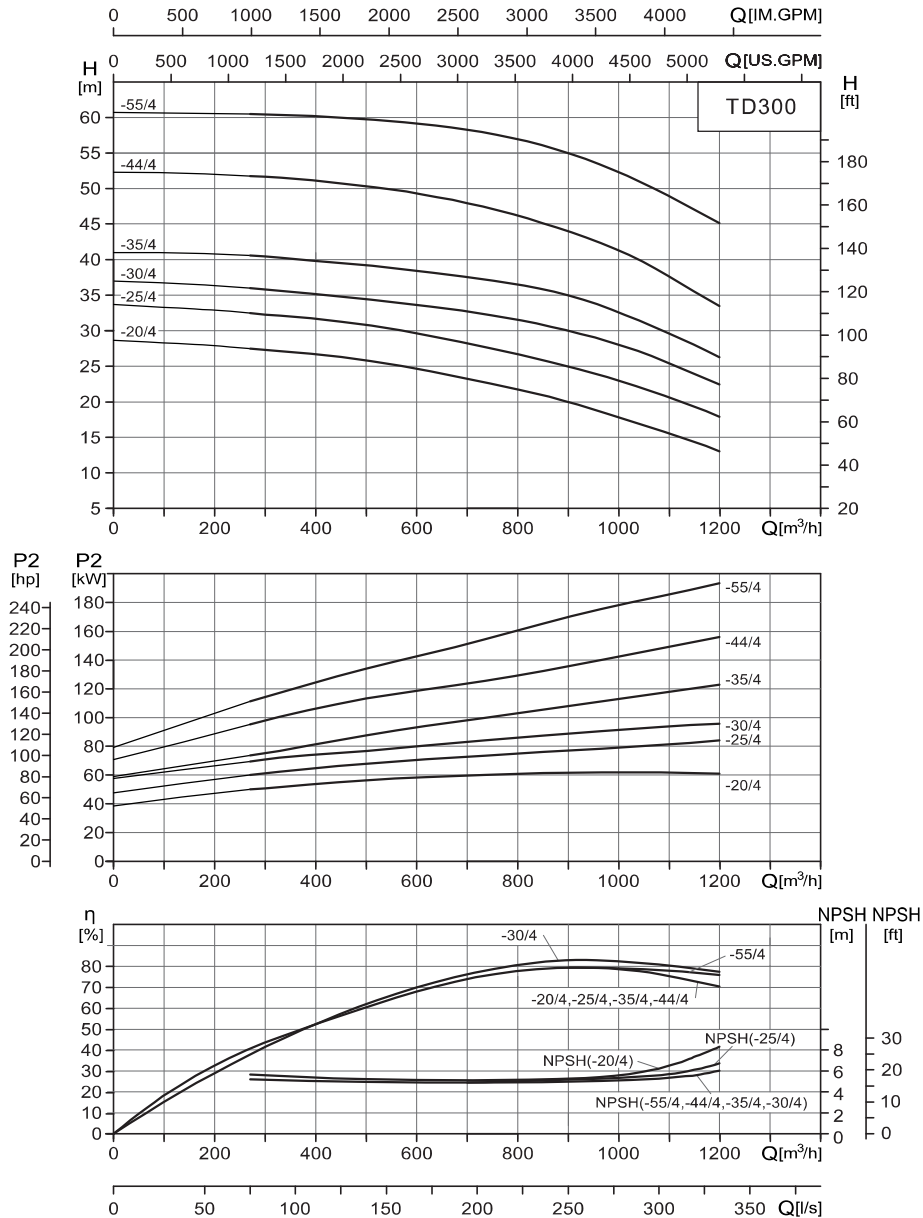


## Dimensions and weights

Model	Dimension(mm)										Weight (kg)	
	D	B1	B2	B3	B4	B5	H1	H2	H3	L1		L2
TD250-14/4	450	450	335	316	243	390	300	495	1469	1100	550	610
TD250-17/4	450	450	335	316	243	390	300	495	1492	1100	550	647
TD250-20/4	550	490	365	316	243	390	300	495	1568	1100	550	720
TD250-26/4	550	550	400	329	264	440	300	507	1636	1100	550	906
TD250-32/4	550	550	400	329	264	440	300	507	1687	1100	550	997
TD250-40/4	660	625	555	347	292	440	305	525	1840	1200	600	1386
TD250-50/4	660	625	555	347	292	440	305	525	1990	1200	600	1469

Note: The dimension of single-phase motor and explosion-proof motor will change. Please consult our company for more details.

## Performance curve

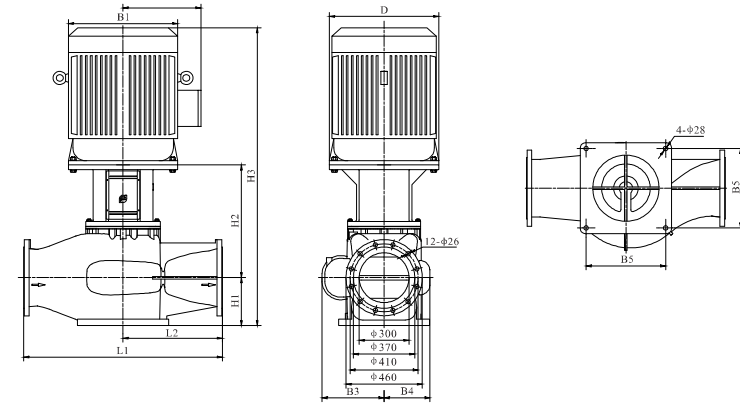


## TD300 Performance table

60Hz

Model	Motor		Q (m³/h)	270	360	450	630	750	900	1080	1200
	(kW)	(hp)									
TD300-20/4	75	100	H (m)	27.5	27	26.3	24.3	22.5	20	16	13
TD300-25/4	90	120		32.5	32	31.3	29.3	27.6	25	21.1	17.9
TD300-30/4	110	150		36	35.4	34.8	33.4	32.1	30	26	22.4
TD300-35/4	132	180		40.6	40	39.6	38.2	37	35	30.2	26.3
TD300-44/4	160	215		51.8	51.3	50.7	49	47.1	44	38.5	33.5
TD300-55/4	200	270		60.5	60.3	60	58.9	57.7	55	49.6	45

## Installation sketch



## Dimensions and weights

Model	Dimension(mm)										Weight (kg)	
	D	B1	B2	B3	B4	B5	H1	H2	H3	L1		L2
TD300-20/4	550	550	400	345	250	440	290	649	1770	1200	600	1070
TD300-25/4	550	550	400	345	250	440	290	649	1820	1200	600	1120
TD300-30/4	660	625	555	345	250	440	290	679	2200	1200	600	1460
TD300-35/4	660	625	555	345	250	440	290	679	2150	1200	600	1540
TD300-44/4	660	625	550	380	295	480	290	702	2150	1200	600	1780
TD300-55/4	660	625	550	380	295	480	290	702	2150	1200	600	1900

Note: The dimension of single-phase motor and explosion-proof motor will change. Please consult our company for more details.

# MEMO

-----

-----

-----

-----

-----

-----

-----

-----

-----

-----

-----

-----

-----

-----

-----

-----

-----

-----

-----

-----

-----

-----

## China Head Quarter

ADD: No. 1 Hengyi Road, Qianjiang development zone, Yuhang District, Hangzhou, Zhejiang, China  
 Tel: +86-571-88637351 / 86397810 / 86397876  
 Fax: +86-571-86397809 / +86-21-62108123  
 E-mail: info@nanfang-pump.com  
 Site: http://www.cnppump.com

## CNP Thailand & Myanmar

Regional Manager: Kevin  
 Mob: +86-17706438514  
 E-mail: kevin@nanfang-pump.com

## CNP Philippines & Taiwan & Japan & Singapore

Regional Manager: Rope  
 Tel: +86-571-86397827  
 Mob: +86-13291808628  
 E-mail: rope@nanfang-pump.com

## CNP Vietnam & Cambodia & Laos & Australia

Regional Manager: Clint  
 Tel: +86-571-86397876  
 Mob: +86-13588417527  
 E-mail: clintpan@nanfang-pump.com

## CNP Turkey & Israel & Iran & Africa

Regional Manager: Jamet  
 Tel: +86-571-86397810  
 Mob: +86-15267008188  
 E-mail: jametsun@nanfang-pump.com

## CNP Europe

Regional Manager: Kalen  
 Tel: +86-571-86397876  
 Mob: +86-18958135803  
 E-mail: kalenni@nanfang-pump.com

## CNP North America ( America & Canada & Mexico )

Regional Manager: Michael  
 Tel: +86-21-62568753  
 Mob: +86-13808432016  
 E-mail: michaelwang@nanfang-pump.com

## CNP Middle East

Regional Manager: Jay  
 Tel: +86-21-62568753  
 Mob: +86-18621044095  
 E-mail: jay.xu@nanfang-pump.com

## CNP Russia

Regional Manager: Nikolay  
 Tel: +79067327775  
 Mob: +86-18601657518  
 E-mail: nikolayzuo@nanfang-pump.com